



C-BSA-12



Intertek
4004503

Conforms to NSF/ANSI STD 2
Certified to CSA STD B45.4



Optional foot-operated faucet
FOF-B
• C-BSA-12

Specifications

Drain

- 1-1/2" I.P.S. Threaded drain will fit Dearborn part #8033 slipnut and part #W-573P washer.

Faucet

- Deck mounted on 4" centers, accepts 3/8" sink leads, hot and cold water connections required (except model C-BSA-12)
- Model C-BSA-12: Backsplash mounted on 4" centers, hot and cold water connections required
- Optional foot-operated faucet on C-BSA-12: single hole, (2) 1/2" NPT female inlets and (1) 1/2" NPT female outlet
- NSF/ANSI 61, 372 low lead compliant

Sink Bowl Dimensions

- 9-1/4" by 11-1/2" by 6" deep

Legs

- 1-5/8" diameter, 16 gauge stainless steel
- Thermoplastic bullet feet

Materials

- 20 gauge stainless steel

Project: _____	AIA# _____
Item #: _____ Qty: _____	SIS# _____
Model #: _____	

Blender Stations

C-BSA-12, C-BSA-14, C-BSA-18L, C-BSA-18R,
C-BSB-12, C-BSB-14, C-BSB-18

Standard Features

- All stainless steel construction
- One-piece seamless top and backsplash
- Adjustable thermoplastic bullet feet
- 9-1/4" by 11-1/2" by 6" deep sink bowl with hot and cold water faucet
- Blender shelf features radius interior corners for easy cleaning
- Power cord access hole with grommet located on front skirt, behind the blender
- Junction box for duplex GFI outlet mounted underneath blender shelf (outlet not included)
- Models C-BSA-12 is available with a foot-operated faucet. Specify accessory number FOF-B.

NOTE: Blender stations cannot have a speed rail mounted to them. Since speed rails are so common on underbar, blender stations come in 24" and 29" depths to align with underbar that has a speed rail.



Accessories

03000483	Wet waste sink strainer
C-LS15-F	Left side splash for C-BSA models
C-RS15-F	Right side splash for C-BSA models
C-LSA-F	Left side splash for C-BSB models
C-RSA-F	Right side splash for C-BSB models
TR	Towel Ring
FOF-B	Convert to foot-operated faucet for C-BSA-12

To view cleaning and care instructions, please visit:
https://www.glastender.com/PDF/F-423-011_ss_clean_care.pdf

⚠ WARNING: The plastic wet waste strainer included with this product can expose you to chemicals including Bisphenol A (BPA), which is known to the State of California to cause birth defects or other reproductive harm. For more information, go to www.P65Warnings.ca.gov.
Warning applies to State of California only. Part #03000483

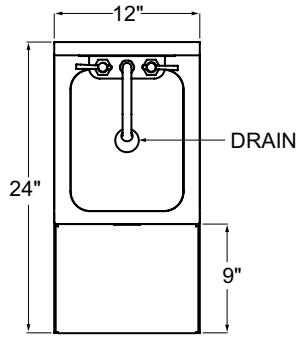
Glastender, Inc. • 5400 North Michigan Road • Saginaw, MI • 48604-9780
989.752.4275 • 800.748.0423 • Fax 989.752.4444
www.glastender.com

Approval/Notes:

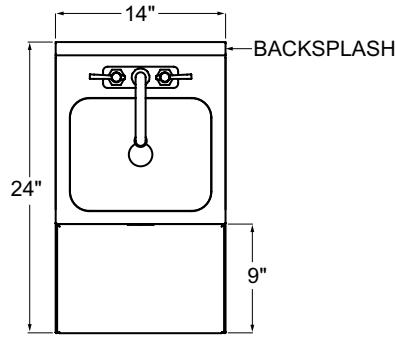
Specifications subject to change without notice. For current specifications please visit our website.

Choice Blender Stations

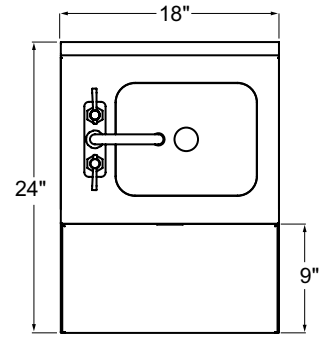
Dimensional Information



C-BSA-12

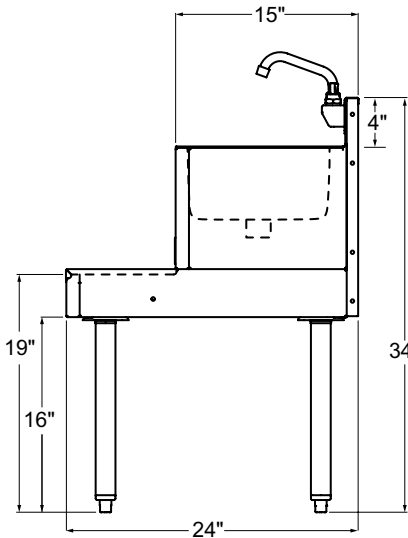


C-BSA-14

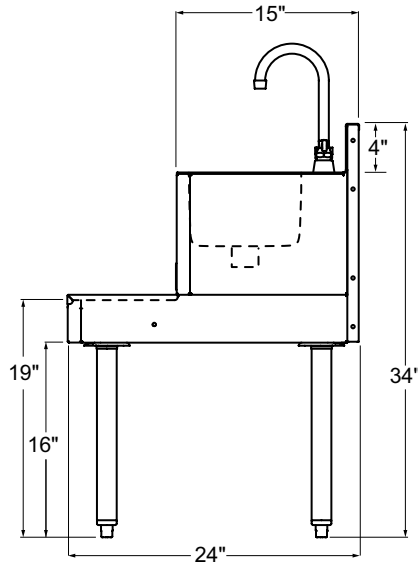


C-BSA-18L

PLAN VIEWS

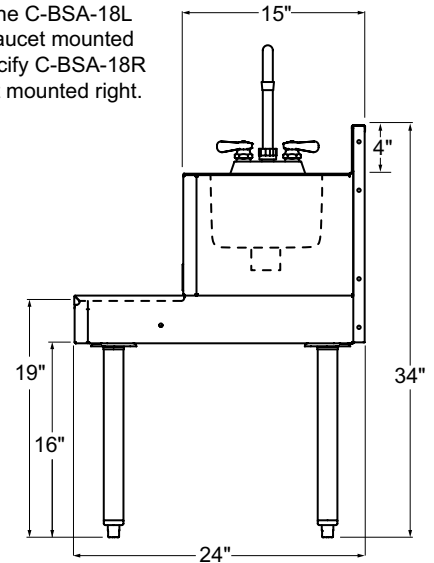


C-BSA-12



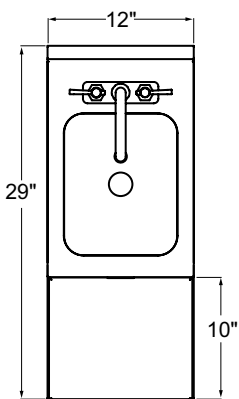
C-BSA-14

NOTE: The C-BSA-18L has the faucet mounted Left. Specify C-BSA-18R for faucet mounted right.

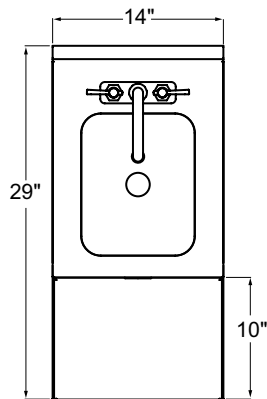


C-BSA-18L

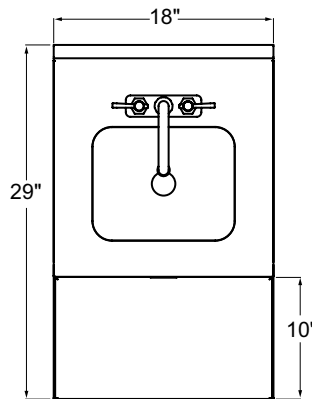
SIDE ELEVATIONS



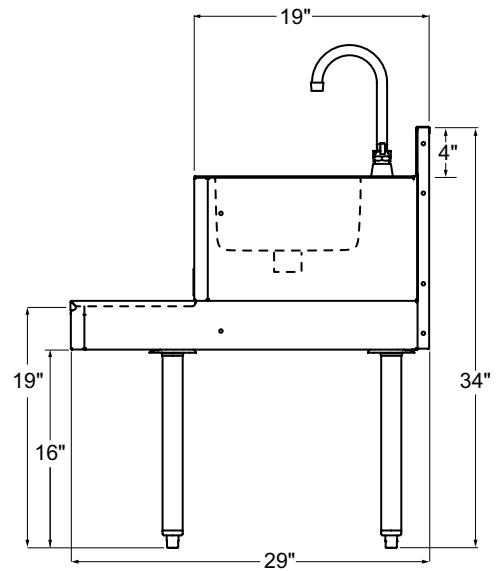
C-BSB-12



C-BSB-14



C-BSB-18



C-BSB-12, C-BSB-14, C-BSB-18
SIDE ELEVATION

PLAN VIEWS

