



DIRECT STEAM FULL JACKETED TILTING KETTLE

Job _____
Item# _____



MODEL	CAPACITY	
DLT-20F	20 Gallon	76 Liter
DLT-30F	30 Gallon	114 Liter
DLT-40F	40 Gallon	151 Liter
DLT-60F	60 Gallon	227 Liter

SPECIFICATIONS:

Shall be a Crown model _____, direct steam connected full jacketed leg tilting kettle. A double wall kettle interior shall form a steam jacket around the kettle. The bottom of the kettle shall be of hemispherical design for superior heat circulation.

The mounting frame of stainless steel pipe shall support the kettle and tilt console and conceal the steam piping, house the steam control valve and tilt mechanism. Each leg shall be fitted with a 4 hole adjustable flanged foot for securing to the floor. The tilt mechanism shall permit the kettle to tilt forward a full 90° for complete emptying. The tilting mechanism shall be self-locking for positive stop action.

Construction shall be all welded #4 finish stainless steel type 304. The kettle liner shall be standard 316 for high acid content cooking. Faucet bracket standard.

OPERATION SHALL BE BY:

Direct steam at a minimum of 5 PSI (34kPa) and a maximum of 30 PSI (207 kPa).

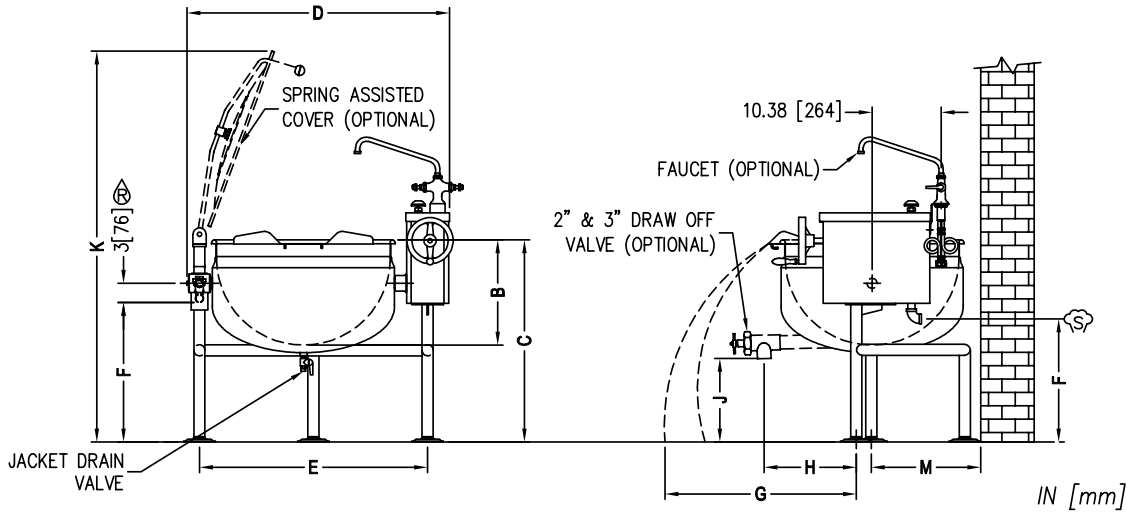
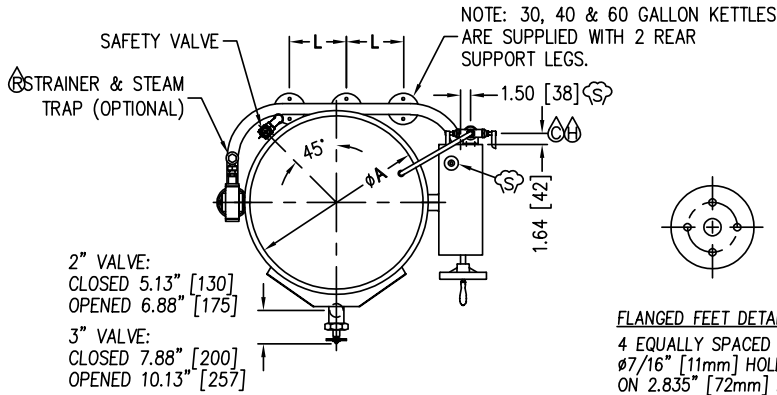
OPTIONAL ITEMS AT EXTRA COST:

- 50 psi (345 kPa) high pressure operation for higher cooking temperature (HP-50)
- 2" (50 mm) draw off valve (TVT-2)
- 3" (76 mm) draw off valve (TVT-3)
- Spring assist hinged stainless steel cover (CH-F)
- Etched gallon markings (GM-)
- Etched litre markings (LM-)
- Correctional package
- One piece stainless steel lift off cover (C-F)
- Triple basket assembly (TBA-)
- Steam trap assembly, consisting of steam trap, check valve, line strainer (STA-2)
- Perforated strainer for draw-off valve (TPS-)
- Solid disc for draw-off valve (TSS-)
- Strainer hook (SH)
- Graduated measuring strip (CMS-)
- Pan carrier (PC-4)
- Draw-Off valve hose kit (DVHK-)
- Pour lip strainer (TKS-)
- Single pantry kettle filler (SP-KF)
- Double pantry kettle filler (DP-KF)
- Single pantry faucet with swing spout (SF-18)
- Double pantry faucet with swing spout (DF-18)
- Kettle heat shield (KHS-)



Models: DLT-20F DLT-30F DLT-40F DLT-60F DLT-80F DLT-100F

MODEL	SHIPPING WEIGHT	MINIMUM CLEARANCE	
		SIDES	BACK
DLT-20F	320 lbs. [145 kg]	0 [0]	0 [0]
DLT-30F	350 lbs. [159 kg]	0 [0]	0 [0]
DLT-40F	396 lbs. [180 kg]	0 [0]	0 [0]
DLT-60F	439 lbs. [299 kg]	0 [0]	0 [0]



DIMENSIONS

MODEL	CAPACITY	UNITS	A	B	C	D	E	F	G	H(2")	H(3")	J(2")	J(3")	K	L	M
DLT-20F	20 gallons (76 liters)	in (mm)	26" (660)	15.75" (400)	30.25" (768)	39.75" (1010)	33.5" (850)	20.25" (514)	28.63" (727)	13" (330)	15.25" (387)	12.5" (318)	12" (305)	63" (1600)	N/A	16.38" (416)
DLT-30F	30 gallons (114 liters)	in (mm)	29.5" (749)	17.5" (445)	32" (813)	43.25" (1100)	37" (940)	21.5" (546)	30.13" (765)	15.5" (394)	15.5" (394)	14.5" (368)	14" (356)	68.88" (1749)	9.5" (241)	18.38" (467)
DLT-40F	40 gallons (152 liters)	in (mm)	33" (840)	19.25" (489)	33.75" (857)	46.75" (1185)	40.5" (1030)	20" (508)	32.63" (828)	14.5" (368)	16.25" (413)	12.5" (318)	12" (305)	73.25" (1861)	11" (279)	19.88" (505)
DLT-60F	60 gallons (227 liters)	in (mm)	35.5" (902)	20.5" (521)	33" (838)	49.25" (1251)	43" (1092)	21" (533)	39.25" (997)	18" (457)	20.25" (514)	10.5" (267)	10" (254)	76.25" (1937)	12.5" (318)	21.5" (546)

SERVICE CONNECTIONS

- ☁ - STEAM SUPPLY: 3/4" IPS (19 mm)
 - Ⓡ - CONDENSATE RETURN: 1/2" IPS (13 mm)
 - ⓕ - FAUCET CONNECTION(S): 1/4" IPS (6 mm)
 - Ⓢ - COLD WATER: 3/8" O.D. tubing to faucet. (OPTIONAL)
 - Ⓣ - HOT WATER: 3/8" O.D. tubing to faucet. (OPTIONAL)
- (Pressure reducing valve required if pressure is over 50 PSI)

**INTENDED FOR COMMERCIAL USE ONLY.
NOT FOR HOUSEHOLD USE.**



70 Oakdale Road, Toronto ON, Canada M3N 1V9
(919) 762-1000 www.crownsteamgroup.com