

# Glastender®

A family company manufacturing in the USA

[www.glastender.com](http://www.glastender.com)



DHSB-12

FOF-D  
• DHSB-12



Optional foot-operated faucet



**Intertek**

4004503

Conforms to ANSI/NSF STD 2  
Certified to CSA/CAN STD B45.4

Project: _____	AIA# _____
Item #: _____ Qty: _____	SIS# _____
Model #: _____	

## Door-Style Hand Sinks

DHSA-18, DHSB-12, DHSB-18

### Standard Features

- Manufactured with total welded construction to meet NSF® standards
- All stainless steel construction
- One-piece seamless top and backsplash featuring 1/4" radius corners for easy cleaning
- Adjustable stainless steel bullet feet
- 9-1/4" by 11-1/2" by 6" deep sink bowl with hot and cold water faucet
- Faucets are standard and ship mounted
- Feature a soap dispenser and hinged front access door to conceal C-fold paper towel dispenser
- A lift-out perforated plastic wet waste strainer is available as an accessory. Specify part number 03000483.
- Soap dispenser is easily refilled from above, no need to crawl under equipment
- Model DHSB-12 is available with a foot-operated faucet. Specify accessory number FOF-D.

**All faucets are NSF/ANSI 61, Annex G low lead compliant**

### Specifications

#### Drain

- 1-1/2" I.P.S. Threaded drain will fit Dearborn part #8033 slipnut and part #W-573P washer

#### Faucet

- Deck mount on 4" centers, accepts 3/8" sink leads, hot and cold water connections required
- Optional foot-operated faucet on DHSB-12: single hole, (2) 1/2" NPT female inlets and (1) 1/2" NPT female outlet
- NSF/ANSI 61, 372 low lead compliant

#### Sink Bowl Dimensions

- 9-1/4" by 11-1/2" by 6" deep

#### Legs

- 1-5/8" diameter, 16 gauge stainless steel
- Stainless steel bullet feet

#### Materials

- 20 gauge stainless steel parts include: all components unless otherwise noted
- 18 gauge stainless steel parts include: leg pads

To view underbar installation instructions, please visit: [https://www.glastender.com/PDF/F-750-165\\_Underbar\\_Installation\\_Instructions.pdf](https://www.glastender.com/PDF/F-750-165_Underbar_Installation_Instructions.pdf)  
To view cleaning and care instructions, please visit: [https://www.glastender.com/PDF/F-423-011\\_ss\\_clean\\_care.pdf](https://www.glastender.com/PDF/F-423-011_ss_clean_care.pdf)

### Product Information

Door-style hand sink models feature a soap dispenser and hinged front access door to conceal C-fold paper towel dispenser. Paper towels are easily accessed below the door. The access door is only opened for re-loading paper towels into the dispenser.

**⚠ WARNING:** The plastic wet waste strainer accessory can expose you to chemicals including Bisphenol A (BPA), which is known to the State of California to cause birth defects or other reproductive harm. For more information, go to [www.P65Warnings.ca.gov](http://www.P65Warnings.ca.gov). **Part #03000483**  
**Warning applies to State of California only.**

**Glastender, Inc.** • 5400 N Michigan Rd • Saginaw, MI • 48604-9780  
989.752.4275 • 800.748.0423 • Fax 989.752.4444  
[www.glastender.com](http://www.glastender.com)

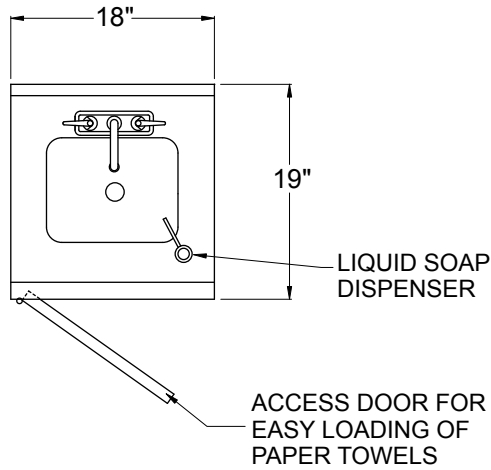
Approval/Notes:

Specifications subject to change without notice. For current specifications please visit our website.

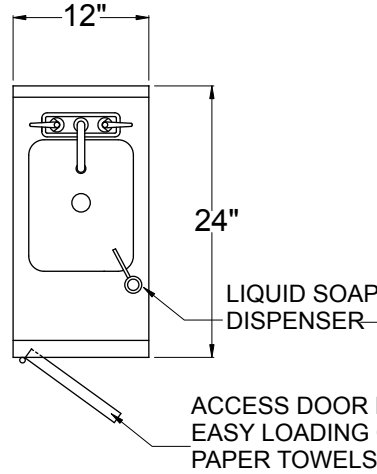
# Door-Style Hand Sinks

## Dimensional Information

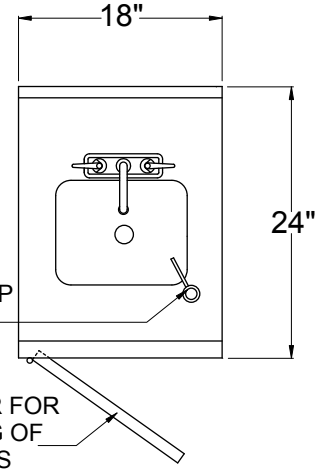
### PLAN VIEWS



DHSA-18

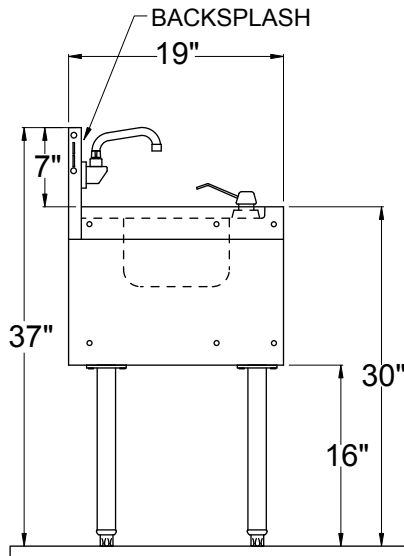


DHSB-12



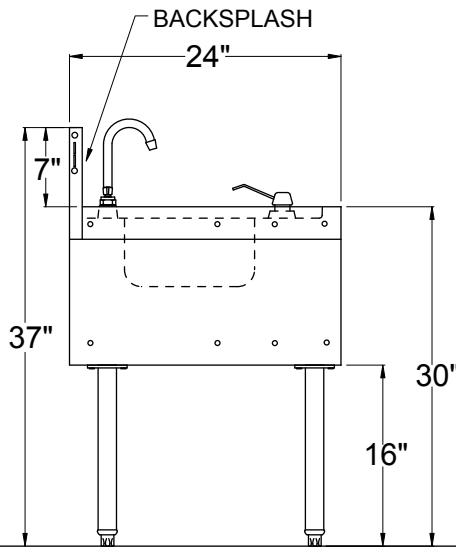
DHSB-18

### FRONT AND SIDE ELEVATIONS

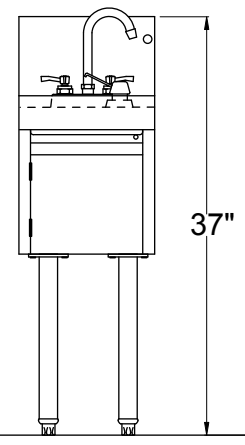


"A" DEPTH  
SIDE ELEVATION

(12" wide unit shown with backplash mounted faucet. 18" wide units have deck mounted faucet.)



"B" DEPTH  
SIDE ELEVATION



DHSB-12  
FRONT ELEVATION