

# Glastender®

A family company manufacturing in the USA

www.glastender.com



C2SB48 with compressor left, glass doors, and stainless top

### CONFIGURATION HIGHLIGHTS



**Intertek**  
EP 5016978  
Energy Performance  
Verified / Rendement  
Énergétique Vérifié



**Intertek** 4004503  
Conforms to NSF/ANSI STD 7 and  
UL STD 471  
**Intertek**  
Certified to CSA STD C22.2 No. 120  
\*Listed to NSF Standard 7 for closed  
container products.

### Standard Features

- Available in three configurations: beer and white wine, beer and red wine, or white wine and red wine
- The two temperature zones are independently controlled
- The colder zone is always controlled by the digital controller on top
- The warmer zone is always a single door and located opposite the compressor end
- Locking door(s)
- LED interior lighting
- Heated mullion to minimize condensation
- Any door opening may be converted to a drawer section or to draft dispensing
- Available without a finished top for integrated installation below customer supplied bar top
- 180° swinging door

### Specifications

#### Electrical

- 120V, 1 phase, 60 Hz
- Full load amps - 2.75
- Dedicated 15 amp circuit is required
- Includes a 6 foot NEMA 5-15P grounded cord and plug which exits the back of refrigeration compartment

#### Refrigeration

- R290 - 105 grams
- Compressor - 1/8 HP
- Heat rejection - 1126 BTU/Hr

#### Operating Range

- Beer compartment: 34°F (1°C) to 40°F (4°C)
- White wine compartment: 50°F (10°C) to 55°F (13°C)
- Red wine compartment: 60°F (16°C) to 65°F (18°C)



5-15P

Project: _____	AIA# _____
Item #: _____ Qty: _____	SIS# _____
Model #: _____	

## Coolers, Two Zone, Side Serviced, Bar Profile

C2SB36, C2SB44, C2SB48

### C2SB Configurable Options

#### Temperature:

- Beer/White wine - 34°F to 40°F / 50°F to 55°F
- Beer/Red wine - 34°F to 40°F / 60°F to 65°F
- White/Red wine - 50°F to 55°F / 60°F to 65°F

#### Refrigeration Compartment Location:

- Left or Right

#### Refrigeration Compartment Cover Finish:

- Black vinyl-clad
- Stainless steel
- Jeweled stainless

#### Door/Drawer Style & Finish:

- Door - Black vinyl-clad
- Door - Unlaminated
- Door - Stainless steel
- Door - Jeweled stainless
- Door - Laminated
- Door - Glass, black vinyl-clad
- Door - Glass, stainless steel
- Door - Glass, jeweled stainless
- Door - Glass, laminated
- Drawers - Black vinyl-clad
- Drawers - Unlaminated
- Drawers - Stainless steel
- Drawers - Jeweled stainless
- Drawers - Laminated

#### Door Hinge Location (specify for each door):

- Left or Right

#### Shelving (specify per door section):

- Three adjustable shelves
- Keg rack

#### Door Handle:

(Note: drawers come with a stainless pull tab handle)

- Polished stainless
- Polished brass
- Stainless pull tab

#### Top Style:

- No finished top
- Stainless top
- Laminated top

#### Left and Right Side Finish:

- Black vinyl-clad
- Stainless steel
- Laminated

#### Back Finish:

- Galvanized steel
- Stainless steel

#### LED Lighting Style:

- Bright white (7,000k)
- Warm white (3,500k)
- Amber (2,700k)
- Blue

See page 3 of this spec for a complete list of cooler accessories.



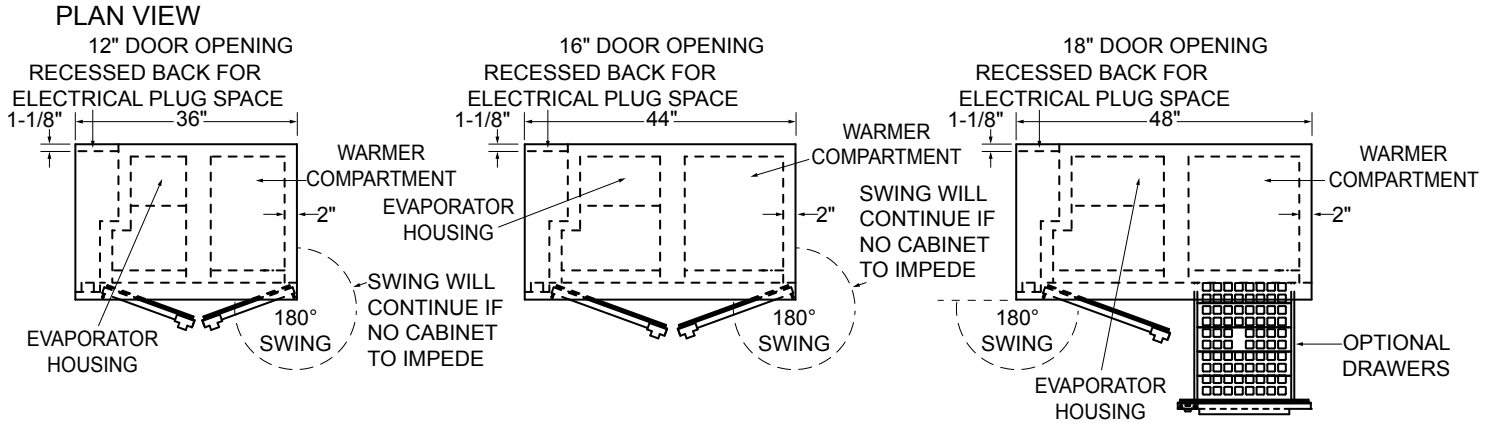
Glastender, Inc. • 5400 N Michigan Rd • Saginaw, MI • 48604-9780  
989.752.4275 • 800.748.0423 • Fax 989.752.4444  
www.glastender.com

Approval/Notes:

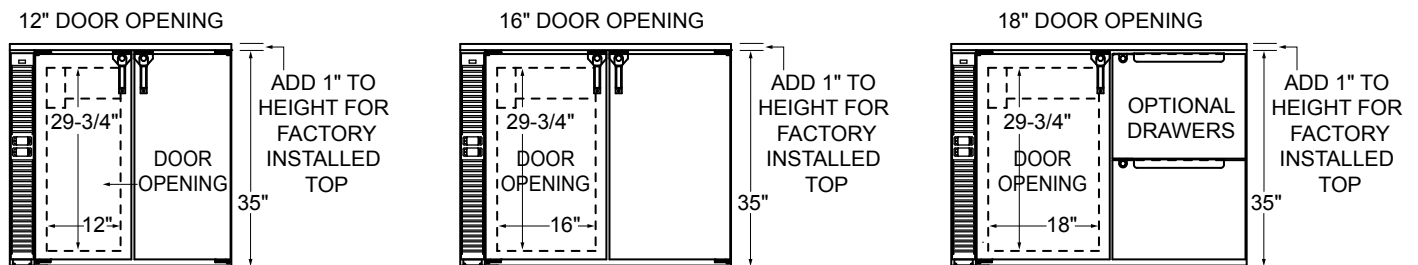
Specifications subject to change without notice. For current specifications please visit our website.

# Coolers - Two Zone, Side Serviced, Bar Profile

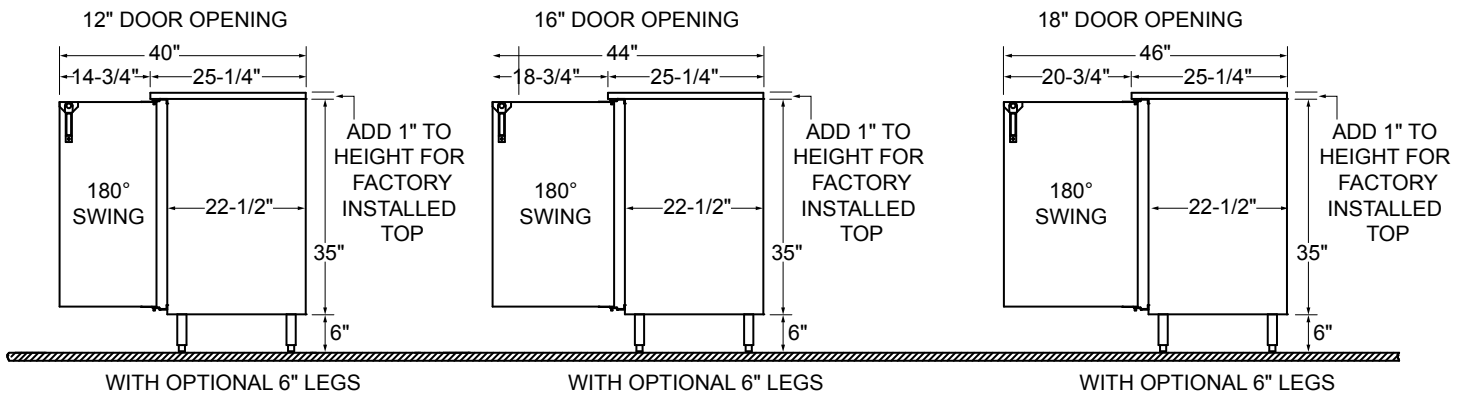
## Dimensional Information



### FRONT VIEW



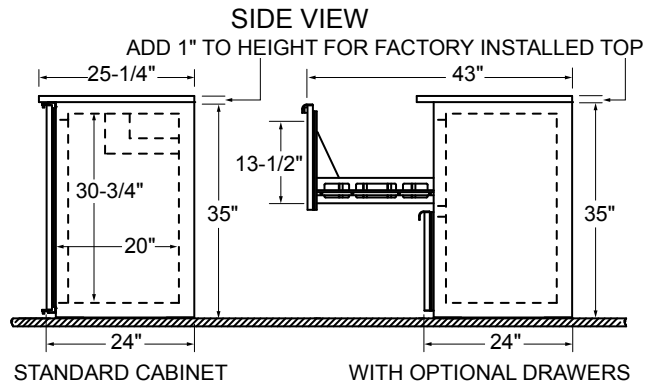
### SIDE VIEW



Note: Available with compressor left or right. Compressor left model shown.

Model	DOORS	Capacities			
		12 oz. bottles, cases	750ml wine bottles*	1/2 barrel kegs	1/6 barrel kegs
C2SB36	2	6.5	63	N/A	4
C2SB44	2	9.7	109	N/A	4
C2SB48	2	12.5	109	2	6

\*Wine bottle capacity is based on shelves. Drawers will hold less.



5400 N Michigan Rd • Saginaw, MI • 48604-9780  
989.752.4275 • 800.748.0423 • Fax 989.752.4444  
www.glastender.com

Printed in USA

## Direct Draw Draft Beverage Towers and Accessories

### Configuring Bar Profile Coolers for Draft Beverage Dispensing

All Glastender bar profile coolers can be configured for draft beverage dispensing. Please note that a minimum 17" wide door opening is required for full size (i.e., 16" diameter) 1/2 barrel kegs. Refer to the capacity statements in the Product Directory or Specification Sheet for the sizes and quantities of kegs each unit will hold. Please also note that the ceiling hung evaporators in remote style coolers may prevent the mounting of beverage towers or at least limit where they can be located.

### Direct Draw Draft Beverage Towers

Glastender Column and Tee Towers come standard with the stainless steel faucets and shanks necessary to dispense keg beer, wine, soda, coffee, or cocktails. Each tower includes a drain pan and each faucet includes 72" of 3/16" ID restriction line with a nut, stem, and washer. Mounting holes will be pre-drilled at the factory if the host cooler is ordered with a finished top and the tower location is specified.



Look for the Draft Beer Compatible logo

**Draft Beverage Compatible**



### DIRECT DRAW DRAFT BEVERAGE TOWERS

GRAINLINE FINISH	MIRROR FINISH	BRASS FINISH**	FAUCETS	WGT
MODEL	MODEL	MODEL		
CT-1-SS	CT-1-MF	CT-1-PB*	1	13#
CT-2-SS	CT-2-MF	CT-2-PB*	2	15#
CT-3-SS	CT-3-MF	CT-3-PB*	3	18#
BT-4-SS	BT-4-MF	BT-4-PB*	4	23#
BT-5-SS	BT-5-MF	BT-5-PB*	5	27#
BT-6-SS	BT-6-MF	BT-6-PB*	6	31#
BT-8-SS*	BT-8-MF*	BT-8-PB*	8	39#
BT-10-SS*	BT-10-MF*	BT-10-PB*	10	57#
BT-12-SS*	BT-12-MF*	BT-12-PB*	12	65#

\*NOTE: These Tee Towers are manufactured to order and are not returnable

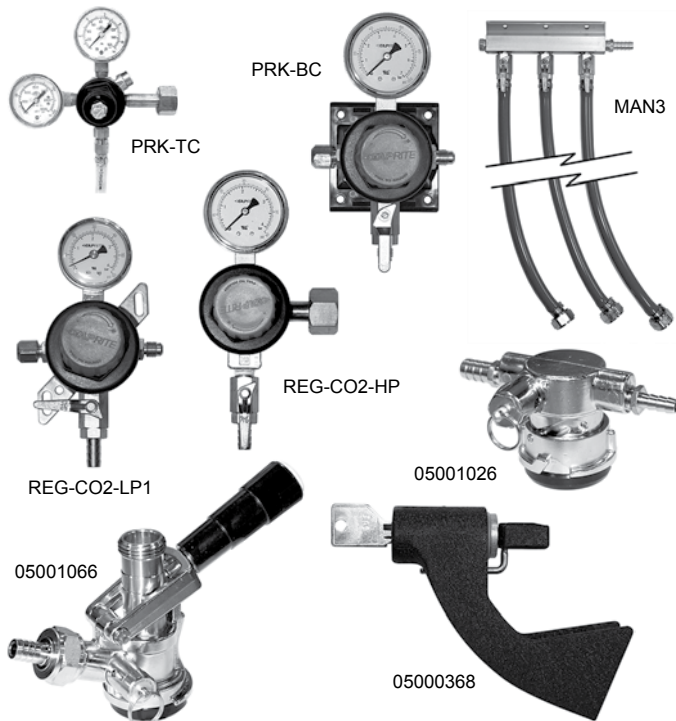
\*\* NOTE: Brass finish towers provided with mirror finish drain pan and brass finish perforated insert

### Tower Cooler Kits

Direct draw beverage towers are chilled by air from inside the host cooler. This is especially important for draft beer, as warm faucets cause the beer to foam. For 1 and 2-door coolers, an evaporator hose tower cooling kit is sufficient. For 3 and 4-door coolers, specify the blower motor tower cooling kit. For two towers on one cooler, specify the blower motor tower cooling kit with tee.

### TOWER COOLING KITS

MODEL	DESCRIPTION	WGT
06007097	Evap. hose cooling kit, 1 & 2-door coolers	2#
06007067	Blower motor cooling kit, 3 & 4-door coolers	3#
06007049	Blower w/tee cooling kit, for 2 towers	5#



### PRIMARY REGULATOR KITS

Primary regulators are used to step down the CO<sub>2</sub> or nitrogen pressure from the main source. A tank mount CO<sub>2</sub> primary regulator attaches directly to the CO<sub>2</sub> tank. A bulk or in-line CO<sub>2</sub> primary regulator is used to splice into a CO<sub>2</sub> line when the CO<sub>2</sub> tank is shared by more than one system. A tank mount nitrogen primary regulator is used with pre-blended nitrogen and CO<sub>2</sub> or pure nitrogen gas. Each primary regulator kit includes 50 feet of nylon braided hose.

MODEL	DESCRIPTION	WGT
PRK-TC	Tank mount CO <sub>2</sub> primary regulator kit	15#
PRK-BC	Bulk CO <sub>2</sub> primary regulator kit	15#
PRK-TN	Tank mount nitrogen primary regulator kit	15#

### SECONDARY REGULATOR KITS

The REG-CO2-LP1 secondary regulator kit is normally mounted inside the direct draw cooler and connects to the gas line coming from the externally mounted primary regulator. For installations with more than one keg on tap, also order the appropriate manifold kit(s). When no external source of CO<sub>2</sub> is available, a 5 pound CO<sub>2</sub> cylinder may be stored inside the cooler, which will require the REG-CO2-HP regulator. A manifold kit will also be required if there is more than one keg on tap.

MODEL	DESCRIPTION	WGT
REG-CO2-LP1	Secondary regulator kit	7#
REG-CO2-HP	Primary regulator kit for use with 5# CO <sub>2</sub> tank	7#
MAN2	Two product manifold kit	2#
MAN3	Three product manifold kit	3#
MAN4	Four product manifold kit	4#
MAN5	Five product manifold kit	5#
MAN6	Six product manifold kit	6#

### ADDITIONAL ACCESSORIES

MODEL	DESCRIPTION	WGT
03004240	1/2" ID black drain line, per foot	N/A
05000400	5/16" ID red vinyl air line, per foot	N/A
05000386	1/4" ID nylon braided air line, per foot	N/A
05001066	Sanke keg tap, stainless steel probe	2#
05001026	Sanke keg tap, low profile	2#
05000368	Lock for beer faucet	2#
05000636	5# CO <sub>2</sub> tank (unfilled)	15#
LCK	Line cleaning kit	
06007084	Drain bottle	



5400 N Michigan Rd • Saginaw, MI • 48604-9780  
989.752.4275 • 800.748.0423 • Fax 989.752.4444  
www.glastender.com

Printed in USA