

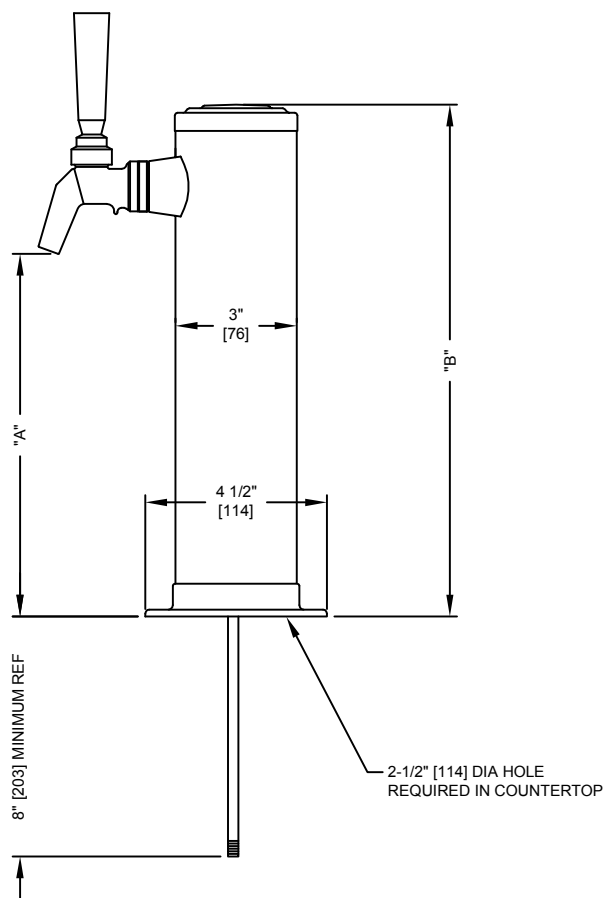
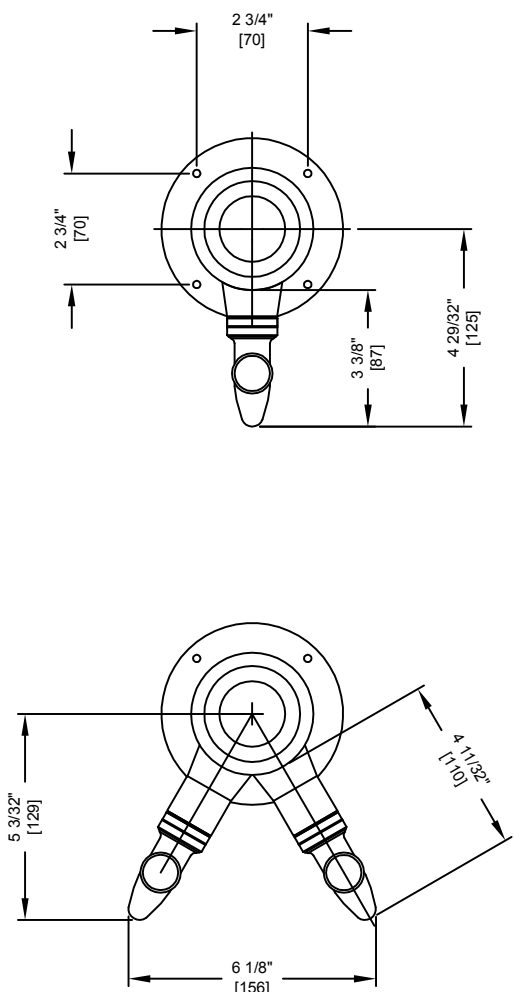


**3" OD DRAFT ARMS**

Model Number	Finish	Number of Faucets	Faucet Height, "A"	Overall Height, "B"
EA2100-1	Polished Chrome	1	9-7/16" (240)	12-11/16" (322)
EA2100-1TF	Tarnish-Free	1	9-7/16" (240)	12-11/16" (322)
EA2100-2	Polished Chrome	2	9-7/16" (240)	12-11/16" (322)
EA2100-2TF	Tarnish-Free	2	9-7/16" (240)	12-11/16" (322)
EA2100-3	Polished Chrome	3	9-7/16" (240)	13-11/16" (347)
EA2100-3TF	Tarnish-Free	3	9-7/16" (240)	13-11/16" (347)
EA2100-1-2	Polished Chrome	1	10-7/16" (265)	13-11/16" (348)
EA2100-1-4	Polished Chrome	1	12-7/16" (316)	15-11/16" (398)
EA2100-1TF-2	Tarnish-Free	1	10-7/16" (265)	13-11/16" (348)
EA2100-1TF-4	Tarnish-Free	1	12-7/16" (316)	15-11/16" (398)
EA2100-2-2	Polished Chrome	2	10-7/16" (265)	13-11/16" (348)
EA2100-2-4	Polished Chrome	2	12-7/16" (316)	15-11/16" (398)
EA2100-2TF-2	Tarnish-Free	2	10-7/16" (265)	13-11/16" (348)
EA2100-2TF-4	Tarnish-Free	2	12-7/16" (316)	15-11/16" (398)
EA2100-3-2	Polished Chrome	3	10-7/16" (265)	14-11/16" (373)

JOB
AREA
ITEM NO.
MODEL NO.

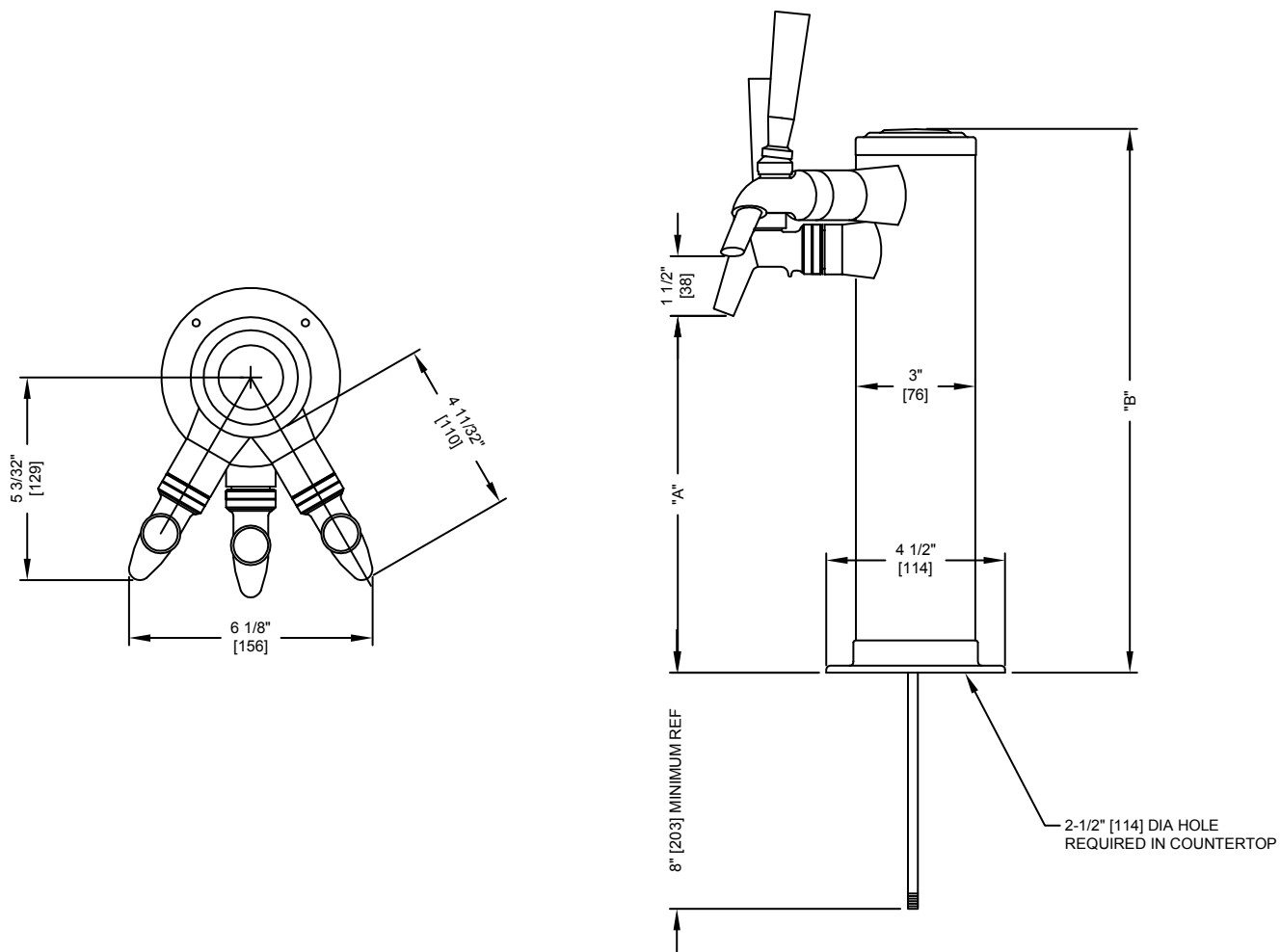
Models		
EA2100-1	EA2100-2	EA2100-3
EA2100-1TF	EA2100-2TF	EA2100-3TF
EA2100-1-2	EA2100-1TF-2	EA2100-2-2
EA2100-1-4	EA2100-1TF-4	EA2100-2-4
EA2100-2TF-2	EA2100-2TF-4	EA2100-3-2



Form No. Z2460  
Rev. 03.02.2017



3" OD DRAFT ARMS



EA2100-3 and EA2100-3TF