

Project _____
 Item _____
 Quantity _____
 CSI Section 11400
 Approval _____
 Date _____

TempStar® HH-E

Models

TempStar® HH-E



Standard Features

- Certified as both a dishwasher and a pot, pan and utensil washer to NSF/ANSI3 standards
- 20-3/4" wide X 27" high (527mm X 686mm) opening accommodates 18" X 26" (457mm X 660mm) sheet pans and 60-quart mixing bowls
- Built-in 70 °F (38.9 °C) rise booster heater with Sani-Sure™ final rinse system is standard; 40 °F (22.2 °C) rise booster heater is available but must be specified at time of order
- Lower counter-rotating wash arms and upper wash arm provide optimum spray coverage and superior cleaning action
- Self-draining stainless steel pump
- Split-door design accommodates installations with low ceiling heights
- Multi-cycle timer (Extra Heavy, Heavy, Medium, Normal)
- Auto-fill / auto-start
- Door switch
- Delime/manual wash switch
- Low watt density electric wash tank heater
- Hi-limit thermostat and low water protection
- Vent fan control shuts fan off when machine is idle
- Adjustable bullet feet
- Uses standard 20" X 20" (508 mm X 508 mm) racks
- Front dress panel
- Detergent/rinse additive signal connection fuse box
- Large scrap basket

Mandatory Specs

Specify:
 Specify voltage _____
 Specify booster size _____

Options

- Optional 40 °F (22.2 °C) rise booster heater is available at no additional cost (must be specified on P.O.)
- 460V Electrical
- Single Phase
- Pressure Regulator
- Drain Water Tempering Kit
- Scaltrol
- Water Hammer Arrestor
- Flanged Feet
- False Panel (for corner installations)
- Door Interlock
- Security Package

Accessories

- 36-Compartment Rack
 - 4-1/8" tall (105 mm)
 - 5-5/8" tall (143 mm)
 - 7" tall (178 mm)
- Combination Rack
- Peg Rack
- Sheet Pan Rack - for 18" X 26" (457mm X 660mm) baking pans

Specifications

Uses 0.72 gallons (2.73 liters) of 180 °F (82 °C) water per rack

Total automatic (normal) cycle - 60 seconds

55 racks per hour (normal) cycle

2 HP Wash Pump Motor

Single point connections for all utilities

Field convertible from straight through to corner and vice versa

Durable stainless steel construction

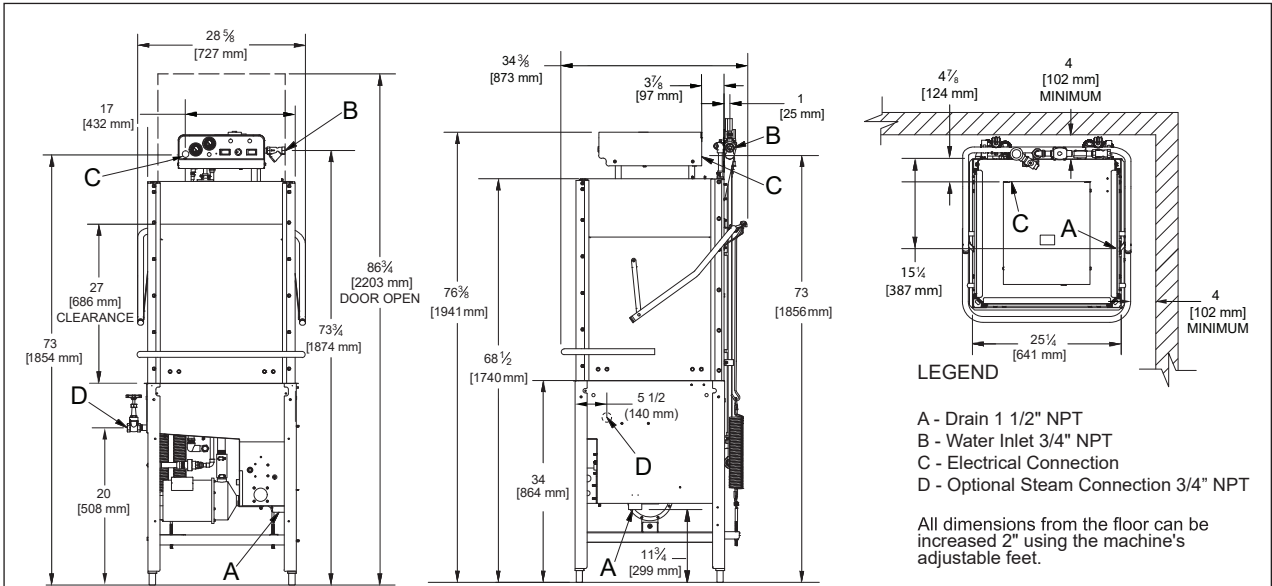


Intertek



Intertek





MODEL NO.	MACHINE DIMENSIONS				DRAIN HEIGHT	SHIPPING INFORMATION					
	HEIGHT	WIDTH	WIDTH BETWEEN TABLES	DEPTH		WEIGHT	CLASS	CUBE	HEIGHT	WIDTH	DEPTH
TempStar® HH-E	76-3/8" (1941 mm)	28-5/8" (727 mm)	25-1/4" (641 mm)	34-3/8" (873 mm)	11-3/4" (298 mm)	393 lbs (179 kg)	200	66.27 cu. ft.	82.625" (2099 mm)	33" (839 mm)	42" (1067 mm)

DIMENSIONS	
Minimum Ceiling Height (recommended)	88" (2 meters)
Wall Clearance (minimum)	4" (102 mm)
Standard Table Height	34" (864 mm)
Inside Clearance	27" (686 mm)
Machine Height with Door Open	86-3/4" (2202 mm)

OPERATING CAPACITY					
Cycle/Racks per Hour	Normal 55	Medium 28	Heavy 19	Extra Heavy 11	
OPERATING CYCLE (seconds)					
	Wash	Rinse	Dwell	Total Cycle	
Normal	40	10	10	60	
Medium	103	10	10	123	
Heavy	163	10	10	183	
Extra Heavy	283	10	10	303	

OPERATING TEMPERATURES	
Wash (minimum)	155 °F (68 °C)
Rinse (minimum)	180 °F (82 °C)

WATER	
Inlet Temperature	
40 °F (22.2 °C) Rise	140 °F (60 °C)
70 °F (38.9 °C) Rise	110 °F (43 °C)
No Booster	180 °F (82 °C)
Gallons per Hour	39.6 gal (150 L)
Gallons per Rack	.72 gal (2.73 L)
Waterline Size IPS (minimum)	1/2"
Drainline Size IPS (minimum)	1- 1/2"
Flow Pressure (PSI)	10
Wash Tank Capacity	8 gal (30 L)
Booster Tank Capacity	3 gal (11 L)

HOW TO SPECIFY: TempStar® HH-E

ELECTRICAL				
	Power Supply	Total Load	Minimum Circuit Ampacity	Maximum Overcurrent Protection
With 70 °F Rise Booster	208/60/3	51.8 A	54.6 A	70 A
	230/60/3	56.0 A	58.8 A	70 A
	460/60/3	25.7 A	26.5 A	30 A
	208/60/1	81.4 A	84.2 A	100 A
With 40 °F Rise Booster	230/60/1	88.9 A	91.7 A	100 A
	208/60/3	47.6 A	50.4 A	60 A
	230/60/3	51.4 A	54.2 A	70 A
	460/60/3	23.4 A	24.2 A	25 A
With No Booster	208/60/1	74.2 A	77.0 A	90 A
	230/60/1	80.9 A	83.7 A	90 A
	208/60/3	22.6 A	25.4 A	35 A
	230/60/3	23.8 A	26.6 A	35 A
460/60/3	9.6 A	10.3 A	15 A	
208/60/1	30.9 A	33.7 A	40 A	
230/60/1	33.0 A	35.8 A	50 A	

WASH PUMP MOTOR	2 HP
-----------------	------

HEATERS			
Voltage	Electric Wash Tank Heater	Electric Rinse Tank Heater 40 °F (22.2 °C) Rise	Electric Rinse Tank Heater 70 °F (38.9 °C) Rise
208	4.1kW	9.0kW	10.5kW
230	5.0kW	11.0kW	12.9kW
460	5.0kW	11.0kW	12.9kW

Jackson WWS, Inc.

Shipping Address: 6209 North U.S. Highway 25E, Gray, KY 40734
 Mailing Address: P.O.Box 1060, Barbourville, KY 40906
 Telephone: 888-800-5672 • Fax: 606-523-1799
 Email: info@jacksonwws.com
 07610-004-50-08 [04/22/2020]

www.jacksonwws.com