



Project _____
 Item # _____
 Quantity _____

Built-In Full-Size Insulated Heated Wells

Models: HWBLI-FUL, -FULD, -FULDA,
 HWBLIB-FUL, -FULD, -FULDA,
 HWBI-FUL, -FULD, -FULDA,
 HWBIB-FUL, -FULD, -FULDA,
 HWBHI-FUL, -FULD, -FULDA,
 HWBHIB-FUL, -FULD, -FULDA

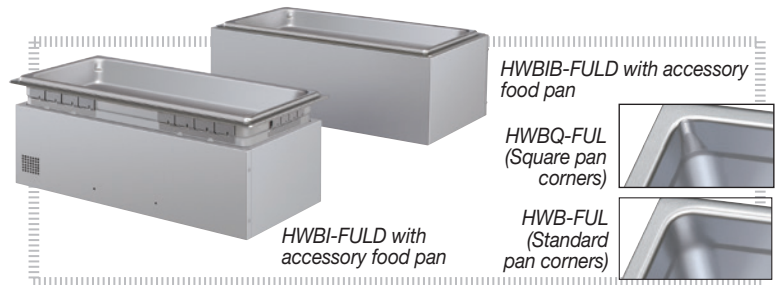
With Square Corners

Models: HWBLIQ-FUL, -FULD, -FULDA,
 HWBLIBQ-FUL, -FULD, -FULDA,
 HWBIQ-FUL, -FULD, -FULDA,
 HWBIBQ-FUL, -FULD, -FULDA,
 HWBHIQ-FUL, -FULD, -FULDA,
 HWBHIBQ-FUL, -FULD, -FULDA

Hatco insulated Built-In Heated Wells hold heated food at safe serving temperatures longer. Compared to other models, Hatco units offer a larger drain with a flat drain screen, more consistent holding temperatures, heavier stainless steel construction, easier-to-service design for quick change of components and a remote thermostat with separate power switch.

Standard features

- Insulated rectangular full-size well in top or bottom mount
- Fully insulated wells on sides and bottom ensure better heat retention, and cooler surrounding surfaces for customer safety
- Separate lighted ON/OFF rocker switch and temperature dial for easy operation
- Low (120V only), Standard and High Watt
- Available with or without a drain (easy to clean with a larger drain and a flat screen)
- Easy access design allows for quick element or thermostat change
- EZ locking hardware for quick installation
- Thicker stainless steel construction and solid brazed joints for durability



Options (available at time of purchase only)

- Additional High Temp Power Supply Lead Wire available in one foot (305 mm) increments (Lead wire only – the lead wire extensions beyond the standard 3' conduit whip) *Models are shipped standard with 1' [305 mm] of lead wire extensions*
- Flexible Conduit between the control and the Rectangular Heated Well
 - Standard Flexible Conduit, 36" (914 mm)
 - Flexible Conduit, 72" (1829 mm)
- Optional Cord (In lieu of conduit and lead wire):
 - HWBI-, HWBIQ-FUL, -FULD
 - HWBIB-, HWBIBQ-FUL, -FULD
 - HWBIB-FULDA
- Mounting Bracket for insulated Bottom Mount (HWBIB, HWBIBQ series)
- Control Box (Options not available for Auto-fill):
 - Standard Thermostat with 6' (1829 mm) Capillary (Standard 120V)
 - ITC Control with Large Control (Not available for low watt, auto-fill configurations or units without a drain)
 - Larger Recessed Thermostatic Control (Standard for 220/240V and not available for auto-fill configurations)
 - WM Control Assembly Replacement (Not available for auto-fill or export models)
- Control Box Bezel in **Designer** Colors (Not available for any unit with the Optional Cord, Nonstandard colors are non-returnable, Stainless Steel is standard)
 - Warm Red
 - Black
 - Gray Granite
 - White Granite
 - Navy Blue
 - Hunter Green
 - Antique Copper

Accessories

- Rectangular Full-Size Stainless Steel Food Pans:
 - Third-Size (2.5" [64 mm] H)
 - Half-Size (2.5" [64 mm] H)
 - Full-Size (2.5" [64 mm] H)
 - Full-Size (4" [101 mm] H)
 - Full-Size (6" [152 mm] H)
- Round Food Pans:
 - 4 Quart (4 Liter)
 - 7 Quart (7 Liter)
- Hinged Lid for Round Pans:
 - 4 Quart (4 Liter)
 - 7 Quart (7 Liter)
- Notched Lid for Round Pans:
 - 4 Quart (4 Liter)
 - 7 Quart (7 Liter)
- Stainless Steel Wire Trivets:
 - Half-Size
 - Full-Size
- Adapter to Convert Warmers to hold Round Pans
 - Holds three 4-Quart (4-Liter) Inserts
 - Holds two 7-Quart (7-Liter) Inserts
- Mounting Kit (not necessary for Bottom Mount models) for:
 - Combustible Countertops
 - Thick Countertops
- Mounting Bracket for HWBIB series
- Support Bars:
 - 12" (305 mm)
 - 20" (508 mm)
- 3/4" Ball Valve for Unit with Drains
- 3/4" Gate Valve for Unit with Drains
- Heated Well Remote Handle for 3/4" drains (Includes a Ball Valve)

For operation, location and safety information, please refer to the Installation & Operating Manual.



HATCO CORPORATION | P.O. Box 340500 Milwaukee, WI 53234-0500 U.S.A.
 (800) 558-0607 | (414) 671-6350 | www.hatcocorp.com | support@hatcocorp.com



Built-In Full-Size Insulated Heated Wells

Models: HWBLI-FUL, -FULD, -FULDA, HWBLIB-FUL, -FULD, -FULDA, HWBI-FUL, -FULD, -FULDA, HWBIB-FUL, -FULD, -FULDA, HWBHI-FULD, -FULDA, HWBHIB-FULD, -FULDA

■ "Q" added to model name indicates unit with square corners (ex. HWBLIQ-FUL).

Ordering Instructions

(Please specify the following with each order)

1. **Desired Voltage:** 120, 208, 220 or 240V
(export voltage available)

2. **Pan Corners**

- A. Rounded
- B. Square

3. **Drain** (With or without)

4. **Auto-fill** (With or without)

5. **Mounting Style**

- A. Top Mounted
- B. Bottom Mounted

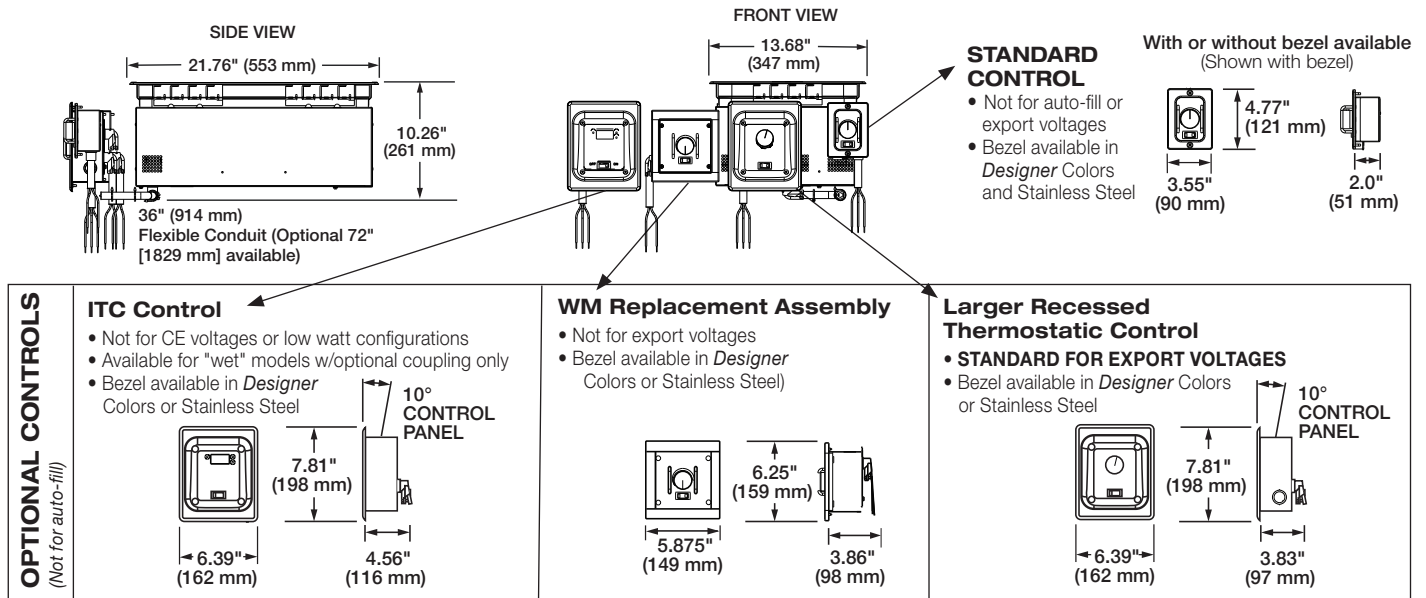
6. **Wattage**

- A. High Watt
- B. Standard Watt
- C. Low Watt (120V only)

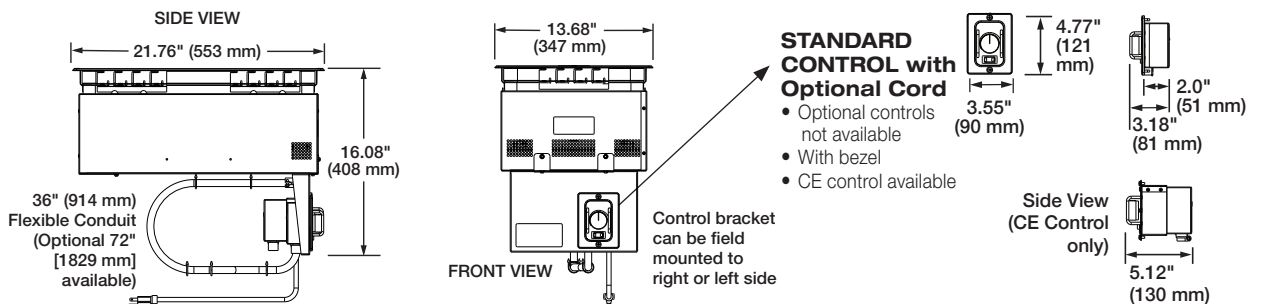
7. **Agency:**

- A. UL, C-UL
- B. UL-EPH (Sanitary listing)
- C. CE mark available

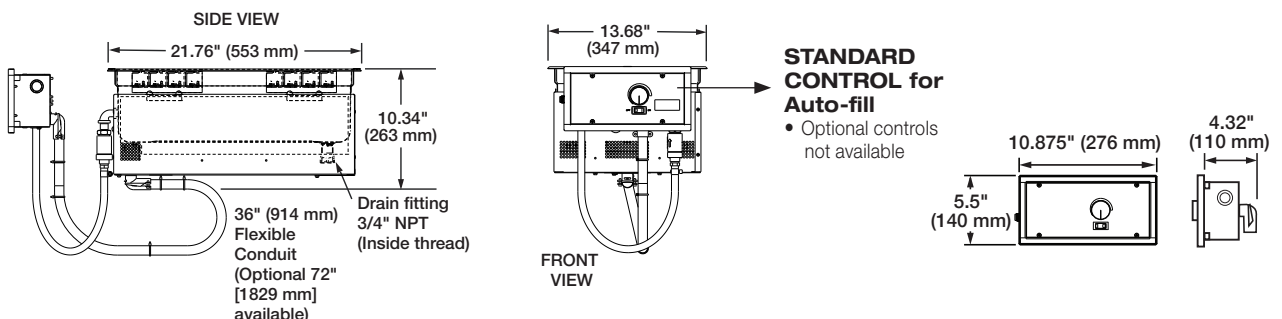
Insulated Top Mount Heated Wells — HWBI-, HWBIQ-FUL, FULD



HWBI-, HWBIQ-FUL, -FULD-Cord



HWBI-, HWBIQ-FULDA (Auto-fill)



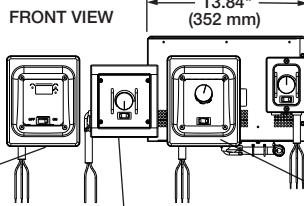
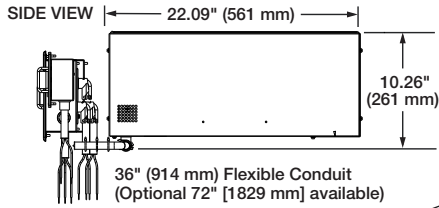


Built-In Full-Size Insulated Heated Wells

Models: HWBLI-FUL, -FULD, -FULDA, HWBLIB-FUL, -FULD, -FULDA, HWBI-FUL, -FULD, -FULDA, HWBIB-FUL, -FULD, -FULDA, HWBHI-FULD, -FULDA, HWBHIB-FULD, -FULDA

■ "Q" added to model name indicates unit with square corners (ex. HWBLIQ-FUL)

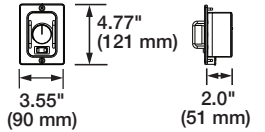
Insulated Bottom Mount Heated Wells – HWBIB-, HWBIBQ-FUL, -FULD



STANDARD CONTROL

- Not for auto-fill or export voltages
- Bezel available in Designer Colors and Stainless Steel

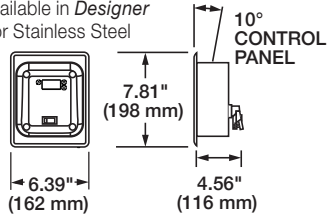
With or without bezel available (Shown with bezel)



OPTIONAL CONTROLS (Not for auto-fill)

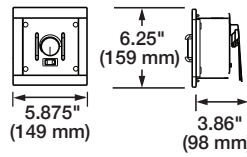
ITC Control

- Not for CE voltages or low watt configurations
- Available for "wet" models w/optional coupling only
- Bezel available in Designer Colors or Stainless Steel



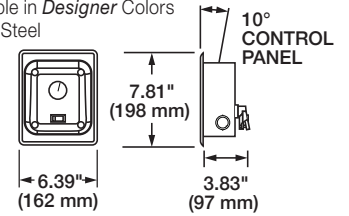
WM Replacement Assembly

- Not for export voltages
- Bezel available in Designer Colors or Stainless Steel

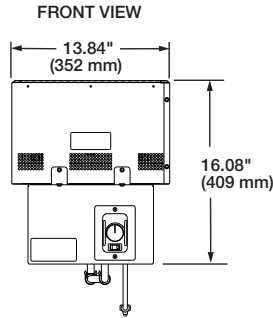
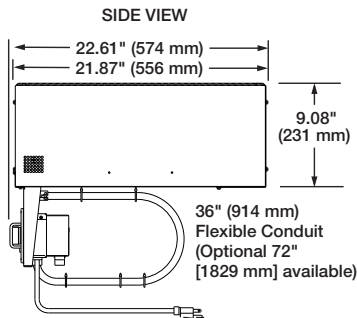


Larger Recessed Thermostatic Control

- STANDARD FOR EXPORT VOLTAGES
- Bezel available in Designer Colors or Stainless Steel

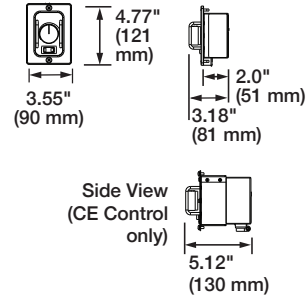


HWBIB-, HWBIBQ-FUL, -FULD with Cord



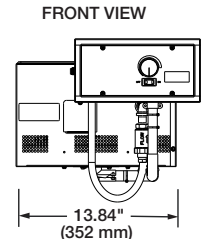
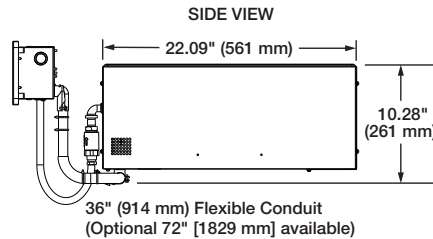
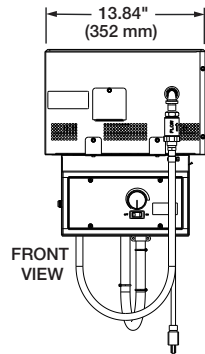
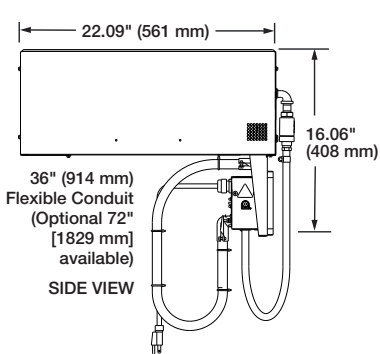
STANDARD CONTROL-with Optional Cord

- Optional controls not available
- With bezel
- CE control available



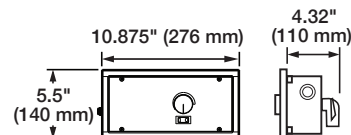
HWBIB-, HWBIBQ-FULDA with Cord (Auto-fill)

HWBIB-, HWBIBQ-FULDA (Auto-fill)



STANDARD CONTROL for Auto-fill

- Optional controls not available



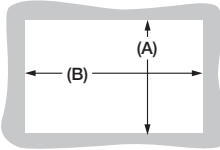


Built-In Full-Size Insulated Heated Wells

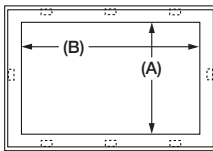
Models[■]: HWBLI-FUL, -FULD, -FULDA, HWBLIB-FUL, -FULD, -FULDA, HWBI-FUL, -FULD, -FULDA, HWBIB-FUL, -FULD, -FULDA, HWBHI-FULD, -FULDA, HWBHIB-FULD, -FULDA

■"Q" added to model name indicates unit with square corners (ex. HWBLIQ-FUL).

Non-Combustible
Countertop
Opening
("Rectangular"
cut-out)



Combustible
Countertop
Opening
("Rectangular"
cut-out)



Cutout Dimensions for Non-Combustible Countertops

| Model | Minimum Width (A) | Maximum Width (A) | Minimum Depth (B) | Maximum Depth (B) |
|---|-------------------|-------------------|-------------------|-------------------|
| HWBI-FUL, -FULD Series HWBIQ-FUL, -FULD Series | 12.75" (324 mm) | 12.94" (328 mm) | 20.75" (528 mm) | 20.94" (531 mm) |
| HWBI-FULDA Series ▼ HWBIQ-FULDA Series ▼ | 12.75" (324 mm) | 12.94" (328 mm) | 20.875" (530 mm) | 20.94" (532 mm) |
| HWBIB-FUL, -FULD, -FULDA Series ▼ HWBIBQ-FUL, -FULD, -FULDA Series ▼ | 12.03" (306 mm) | 12.03" (306 mm) | 20.03" (509 mm) | 20.03" (509 mm) |

▼ Must be flanged.

Cutout Dimensions for Combustible Countertops▲

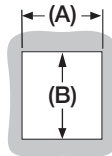
| Model | Minimum Width (A) | Maximum Width (A) | Minimum Depth (B) | Maximum Depth (B) |
|---|-------------------|-------------------|-------------------|-------------------|
| HWBI-FUL, -FULD Series HWBIQ-FUL, -FULD Series | 14" (356 mm) | 14.25" (362 mm) | 22" (559 mm) | 22.25" (565 mm) |
| HWBI-FULDA Series HWBIQ-FULDA Series | 14" (356 mm) | 14.25" (362 mm) | 22" (559 mm) | 22.25" (565 mm) |

▲ Accessory Mounting Kit required for Top Mounts

Cutout Dimensions for Control Boxes

| Control Box | Width (A) | Height (B) | International Model |
|---|------------------|-----------------|---------------------|
| Standard Thermostatic without bezel | 2.16" (55 mm) | 3.375" (86 mm) | Not available |
| Standard Thermostatic with bezel | 3.25" (83 mm) | 3.75" (95 mm) | Not available |
| Optional Larger Recessed Thermostatic | 5.875" (149 mm) | 6.375" (162 mm) | Standard |
| Optional ITC Electronic (not available for 4-QT [4-Liter] or Low Watt) | 5.875" (149 mm) | 6.375" (162 mm) | Optional |
| Optional WM Assembly Replacement | 4.78" (121 mm) | 5.00" (127 mm) | Not available |
| Standard Auto-fill | 10.125" (257 mm) | 4.75" (121 mm) | Standard |

Control Box Opening
(Larger Recessed
Thermostatic shown)



Insulated Full Size Rectangular Models

■ The shaded areas contain electrical information for International models only

| | Model | Dimensions (Width x Depth x Height) | Volts (Single Phase) | Watts | Amps | Optional Plug Hardwired Standard | Control Configuration [♦] | | Ship Weight* |
|---|---|--|----------------------------|-------|---------------|-------------------------------------|------------------------------------|---|------------------------------------|
| | | | | | | | Standard | Optional | |
| Low Watt | HWBLI-FUL, -FULD HWBLIQ-FUL, -FULD (Top or Bottom Mount) | 13.68" x 21.76" x 10.26" (347 x 553 x 261 mm) | 120 | 750 | 6.3 | NEMA 5-15P | Thermostatic (with bezel) | WM Assembly or Larger Recessed Thermostatic | 27 lbs. (12 kg) 26 lbs. (12 kg) |
| | Optional Cord:♦ (Top Mount Only) 13.68" x 21.76" x 16.08" (347 x 553 x 409 mm) | | | | | | | | |
| | HWBLI-, HWBLIQ-FULDA (Top Mount) | 13.68" x 21.76" x 10.34" (347 x 553 x 263 mm) | 765 | 6.4 | Not Available | Auto-fill | Not Available | 30 lbs. (14 kg) | |
| | HWBLIB-FUL, -FULD HWBLIBQ-FUL, -FULD (Bottom Mount Only) | 13.84" x 22.09" x 10.26" (352 x 561 x 261 mm) | 120 | 750 | 6.3 | NEMA 5-15P | Thermostatic (with bezel) | WM Assembly or Larger Recessed Thermostatic | 30 lbs. (14 kg) 29 lbs. (13 kg) |
| Optional Cord:♦ 13.84" x 22.61" x 16.06" (352 x 574 x 408 mm) | | | | | | | | | |
| | HWBLIB-FULDA HWBLIBQ-FULDA (Bottom Mount) | 13.84" x 22.09" x 10.28" (352 x 561 x 261 mm) | | 765 | 6.4 | NEMA 5-15P | Auto-fill | Not Available | 35 lbs. (16 kg) |
| | Optional Cord:♦ 13.84" x 22.09" x 16.06" (352 x 561 x 408 mm) | | | | | | | | |

♦ Only control for optional HWBI-CORD is the Compact Thermostatic Control (CE available as export option)
 - HWBLI-FUL, -FULD or HWBLIQ-FUL, -FULD (top mount only)
 - HWBLIB-FUL, -FULD or HWBLIBQ-FUL, -FULD (bottom mount)



Built-In Full-Size Insulated Heated Wells

Models: HWBLI-FUL, -FULD, -FULDA, HWBLIB-FUL, -FULD, -FULDA, HWBI-FUL, -FULD, -FULDA, HWBIB-FUL, -FULD, -FULDA, HWBHI-FULD, -FULDA, HWBHIB-FULD, -FULDA

■ "Q" added to model name indicates unit with square corners (ex. HWBLIQ-FUL).

Insulated Full Size Rectangular Models

■ The shaded areas contain electrical information for International models only

| Model | Dimensions (Width x Depth x Height) | Volts (Single Phase) | Watts | Amps | Optional Plug Hardwired Standard | Control Configuration [†] | | Ship Weight* | |
|---|--|-------------------------|-----------|---------|-------------------------------------|---|--|--|--|
| | | | | | | Standard | Optional | | |
| HWBI-FUL HWBI-FULD HWBIQ-FUL HWBIQ-FULD Top or Bottom Mount | 13.68" x 21.76" x 10.26" (347 x 553 x 261 mm) Optional Cord: ♦ (Top Mount Only) 13.68" x 21.76" x 16.08" (347 x 553 x 408 mm) | 120 | 1200 | 10.0 | NEMA 5-15P | Compact Thermostatic (with bezel) | WM Assembly, Larger Recessed Thermostatic or ITC Electronic Control (ITC control for HWBI-, HWBIQ- FULD models only) | 26 lbs. (12 kg) 25 lbs. (11 kg) | |
| | | 208 | | 5.8 | NEMA 6-15P | | | | |
| | | 240 | | 5.0 | NEMA 6-15P | | | | |
| | | 220 | 1200 | 5.5 | CEE 7/7 SCHUKO | | Larger Recessed Thermostatic | ITC Control (For HWBI-, HWBIQ-FULD and non-CE models only) | |
| | | 220-230 (CE) | | | CEE 7/7 SCHUKO, CCC | | | | |
| | | 240 | | | BS 1363 or AS 3112 | | | | |
| | | 230-240 (CE) | | | BS 1363 | | | | |
| HWBI-FULDA HWBIQ-FULDA (Top Mount) | 13.68" x 21.76" x 10.34" (347 x 553 x 263 mm) | 120 | 1215 | 10.1 | Not Available | Auto-fill | Not Available | 30 lbs. (14 kg) | |
| | | 208 | | 5.8 | | | | | |
| | | 240 | | 5.1 | | | | | |
| | | 220 | 1215 | 5.5 | Not Available | Auto-fill | Not Available | | |
| | | 220-230 (CE) | 1215/1328 | 5.6/5.8 | | | | | |
| | | 240 | 1215 | 5.1 | | | | | |
| | | 230-240 (CE) | 1116/1215 | 4.9/5.1 | | | | | |
| HWBIB-FUL HWBIB-FULD HWBIBQ-FUL HWBIBQ-FULD (Bottom Mount) | 13.84" x 22.09" x 10.26" (352 x 561 x 261 mm) Optional Cord: ♦ (352 x 574 x 408 mm) | 120 | 1200 | 10.0 | NEMA 5-15P | Compact Thermostatic (with bezel) | WM Assembly, Larger Recessed Thermostatic or ITC Electronic Control (ITC control for HWBI-, HWBIQ- FULD models only) | 29 lbs. (13 kg) | |
| | | 208 | | 5.8 | NEMA 6-15P | | | | |
| | | 240 | | 5.0 | NEMA 6-15P | | | | |
| | | 220 | 1200 | 5.5 | CEE 7/7 SCHUKO | | Larger Recessed Thermostatic | ITC Control (For HWBI-, HWBIQ-FULD and non-CE models only) | |
| | | 220-230 (CE) | | | CEE 7/7 SCHUKO, CCC | | | | |
| | | 240 | | | BS 1363 or AS 3112 | | | | |
| | | 230-240 (CE) | | | BS 1363 | | | | |
| HWBIB-FULDA HWBIBQ-FULDA (Bottom Mount) | 13.84" x 22.09" x 10.26" (352 x 561 x 261 mm) Optional Cord: ♦ (352 x 561 x 408 mm) | 120 | 1215 | 10.1 | NEMA 5-15P | Auto-fill | Not Available | 35 lbs. (16 kg) | |
| | | 208 | | 5.9 | NEMA 6-15P | | | | |
| | | 240 | | 5.1 | NEMA 6-15P | | | | |
| | | 220 | 1215 | 5.6 | CEE 7/7 SCHUKO | | Auto-fill | Not Available | |
| | | 220-230 (CE) | 1215/1328 | 5.5/5.8 | CEE 7/7 SCHUKO, CCC | | | | |
| | | 240 | 1215 | 5.1 | BS 1363 or AS 3112 | | | | |
| | | 230-240 (CE) | 1116/1215 | 4.9/5.1 | BS 1363 | | | | |

† Only control for optional HWBI-CORD is the Compact Thermostatic Control (CE available as export option)
 - HWBI-FUL, -FULD or HWBIQ-FUL, -FULD (top mount only)
 - HWBIB-FUL, -FULD or HWBIBQ-FUL, -FULD (bottom mount)



Built-In Full-Size Insulated Heated Wells

Models: HWBLI-FUL, -FULD, -FULDA, HWBLIB-FUL, -FULD, -FULDA, HWBI-FUL, -FULD, -FULDA, HWBIB-FUL, -FULD, -FULDA, HWBHI-FULD, -FULDA, HWBHIB-FULD, -FULDA

■ "Q" added to model name indicates unit with square corners (ex. HWBLIQ-FUL).

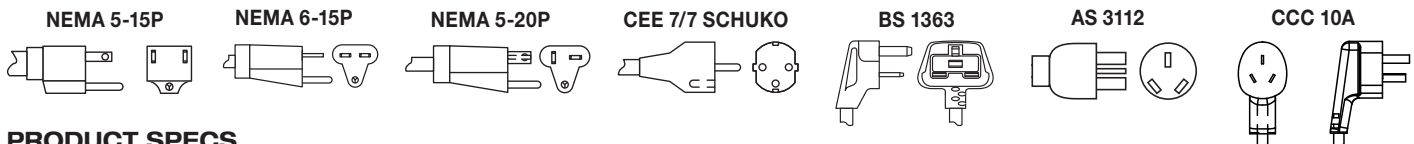
Insulated Full Size Rectangular Models

The shaded areas contain electrical information for International models only

| Model | Dimensions (Width x Depth x Height) | Volts (Single Phase) | Watts | Amps | Optional Plug Hardwired Standard | Control Configuration [♦] | | Ship Weight* | | |
|--|--|---|--|------|-------------------------------------|---|---|------------------------------------|------|-----------------|
| | | | | | | Standard | Optional | | | |
| HWBHI-FUL HWBHI-FULD HWBHIQ-FUL HWBHIQ-FULD (Top or Bottom Mount) | 13.68" x 21.76" x 10.26" (347 x 553 x 261 mm) Optional HWBI-, HWBIQ- Cord (Top Mount only): 13.68" x 21.76" x 16.08" (347 x 553 x 408 mm) | 120 | 1650 | 13.8 | NEMA 5-20P | Compact Thermostatic (with bezel) | WM Assembly, Larger Recessed Thermostatic or ITC Electronic Control (ITC Control for HWBI-, HWBIQ-FULD models only) | 27 lbs. (12 kg) 31 lbs. (14 kg) | | |
| | | 208 | | 7.9 | NEMA 6-15P | | | | | |
| | | 240 | | 6.9 | NEMA 6-15P | | | | | |
| | | HWBHI-FULDA HWBHIQ-FULDA (Top Mount) | 13.68" x 21.76" x 10.34" (347 x 553 x 263 mm) | 120 | 1665 | 13.9 | Not Available | Auto-fill | None | 31 lbs. (14 kg) |
| | | | | 208 | | 8.0 | | | | |
| | | | | 240 | | 6.9 | | | | |
| | | | | 220 | 1665 | 7.6 | Not Available | Auto-fill | None | |
| 220-230 (CE) | 1665/1820 | 7.6/7.9 | | | | | | | | |
| 240 | 1665 | 6.9 | | | | | | | | |
| 230-240 (CE) | 1530/1665 | 6.7/7.0 | | | | | | | | |
| HWBHIB-FUL HWBHIB-FULD HWBHIBQ-FUL HWBHIBQ-FULD (Bottom Mount) | 13.84" x 22.09" x 10.26" (352 x 561 x 261 mm) Optional Cord: (HWBHIB-FUL, -FULD only): 13.84" x 22.61" x 16.06" (352 x 574 x 408 mm) | 120 | 1650 | 13.8 | NEMA 5-20P | Compact Thermostatic (with bezel) | WM Assembly, Larger Recessed Thermostatic or ITC Electronic Control (ITC Control for HWBI-, HWBIQ-FULD models only) | 30 lbs. (14 kg) 31 lbs. (14 kg) | | |
| | | 208 | | 7.9 | NEMA 6-15P | | | | | |
| | | 240 | | 6.9 | NEMA 6-15P | | | | | |
| | | HWBHIB-FULDA HWBHIBQ-FULDA (Bottom Mount) | 13.84" x 22.09" x 10.26" (352 x 561 x 261 mm) Optional HWBI-, HWBIQ-Cord: 13.84" x 22.09" x 16.06" (352 x 561 x 408 mm) | 120 | 1665 | 13.9 | NEMA 5-20P | Auto-fill | None | 35 lbs. (16 kg) |
| | | | | 208 | | 8.0 | NEMA 6-15P | | | |
| | | | | 240 | | 7.0 | NEMA 6-15P | | | |
| | | | | 220 | 1665 | 7.6 | CEE 7/7 SCHUKO | Auto-fill | None | |
| 220-230 (CE) | 1665/1820 | 7.6/7.9 | CEE 7/7 SCHUKO, CCC | | | | | | | |
| 240 | 1665 | 7.0 | BS 1363 or AS 3112 | | | | | | | |
| 230-240 (CE) | 1530/1650 | 6.7/7.0 | BS 1363 | | | | | | | |

♦ Only control for optional HWBI-CORD is the Compact Thermostatic Control (CE available as export option)
 - HWBHI-FUL, -FULD or HWBHIQ-FUL, -FULD (top mount only)
 - HWBHIB-FUL, -FULD or HWBHIBQ-FUL, -FULD (bottom mount)

PLUG CONFIGURATIONS (Optional)



PRODUCT SPECS

Built-In Insulated Heated Wells

The Built-in Rectangular Insulated Heated Well with or without cord and plug, with rounded or square corners shall be a Model...as manufactured by the Hatco Corporation, Milwaukee, WI 53234 U.S.A.

Built-in Heated Well shall be rated at ...watts, ...volts, and be...inches (millimeters) in overall width and be ...inches (millimeters) in overall depth. It shall consist of

stainless and aluminized steel housing with a metal sheathed heating element, EZ locking hardware for installation, and a remote thermostat with lighted power switch. Accessories may include stainless steel mounting kit, adapter bars, adapter top, support bars, food pans, remote handle and valves.

Warranty consists of 24/7 parts and service assistance (US and Canada only).

HATCO CORPORATION | P.O. Box 340500 Milwaukee, WI 53234-0500 U.S.A.
 (800) 558-0607 | (414) 671-6350 | www.hatcocorp.com | support@hatcocorp.com