



Model: \_\_\_\_\_ Item #: \_\_\_\_\_ Date: \_\_\_\_\_  
 Project: \_\_\_\_\_ Qty: \_\_\_\_\_ Approved By: \_\_\_\_\_

# Self-Contained Back Bar Refrigeration

## REFRIGERATION



### BS84L-KSS-LRR Shown

Following sizes available:

- 36" Single Door
- 60" Two Door
- 84" Three Door
- 108" Four Door

### Standard Features

<b>Electrical</b>	115 V, 1 Phase, 60 Hz. Furnished with 8'-0" plug-in cord, which exits left rear of cooler. NEMA 5-15P Plug Configuration. Dedicated 15 Amp circuit recommended.				
	1 Door Model: 2.8 Full Load Amps, 1/5 HP				
	2 Door Model: 4.8 Full Load Amps, 1/4 HP				
	3 Door Model: 5.8 Full Load Amps, 1/3 HP				
	4 Door Model: 6.5 Full Load Amps, 1/3 HP				
<b>Refrigeration</b>	Self-contained 134A Refrigerant. 30°F-40°F operating range Digital Thermostat on front grille				
<b>Case Capacity</b>		<b>36"</b>	<b>60"</b>	<b>84"</b>	<b>108"</b>
	Long Neck Bottles:	7.5	15.5	24	30
	12 oz. Cans:	10	20	34	40
	Wine Bottles (each):	72	162	248	288
<b>Interior</b>	20 gauge stainless steel with coved corners. Two adjustable epoxy coated wire shelves with floor rack per door. Door opening: 29-11/16" high x 19-15/16" wide				
<b>Exterior</b>	Sides: 20 gauge stainless steel or black vinyl Front: 20 gauge stainless steel, black vinyl or glass Back: 20 gauge galvanized steel Top: 20 gauge galvanized steel with option of stainless steel				
<b>Insulation</b>	2" thick foamed-in-place polyurethane				
<b>Plumbing</b>	No drain connection required. Condensate evaporator pan included.				

### Optional Accessories

<b>BS-100</b>	Four 6" Stainless Steel Legs
<b>BS-101</b>	Six 6" Stainless Steel Legs (84" & 108" Models)
<b>BS-102</b>	Four 4" Stainless Steel Legs
<b>BS-103</b>	Six 4" Stainless Steel Legs (84" & 108" Models)
<b>BS-106</b>	Left Side Stainless Steel Kick Plate
<b>BS-107</b>	Right Side Stainless Steel Kick Plate
<b>BS-136</b>	36" Stainless Steel Front Kick Plate
<b>BS-160</b>	60" Stainless Steel Front Kick Plate
<b>BS-184</b>	84" Stainless Steel Front Kick Plate
<b>BS-199</b>	108" Stainless Steel Front Kick Plate
<b>BS-130</b>	Four 1" Ultra Low Profile Casters w/ Brakes
<b>BS-131</b>	Six 1" Ultra Low Profile Casters w/ Brakes (84" & 108" Models)
<b>BS-132</b>	Four 2" Low Profile Casters w/ Brakes
<b>BS-133</b>	Six 2" Low Profile Casters w/ Brakes (84" & 108" Models)
<b>BS-134</b>	Four 3" Casters w/ Brakes
<b>BS-135</b>	Six 3" Casters w/ Brakes (84" & 108" Models)

**\*This equipment is intended for the storage and display of non-potentially hazardous bottle or canned products only.\***



CONFORMS TO UL Std 471 & NSF STD 7



Model: \_\_\_\_\_ Item #: \_\_\_\_\_ Date: \_\_\_\_\_

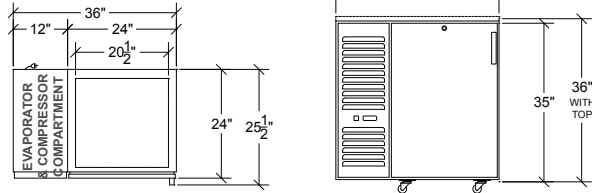
Project: \_\_\_\_\_ Qty: \_\_\_\_\_ Approved By: \_\_\_\_\_

# Self-Contained Back Bar Refrigeration

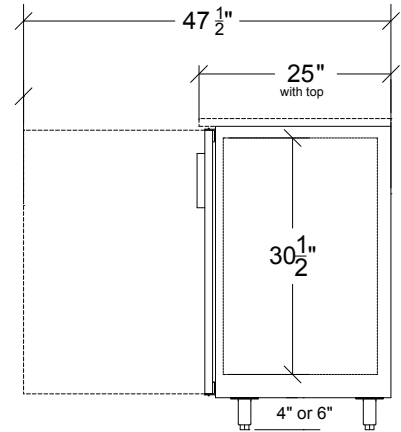
## REFRIGERATION

### One Door (36")

235 lbs. (250 lbs. with Top)

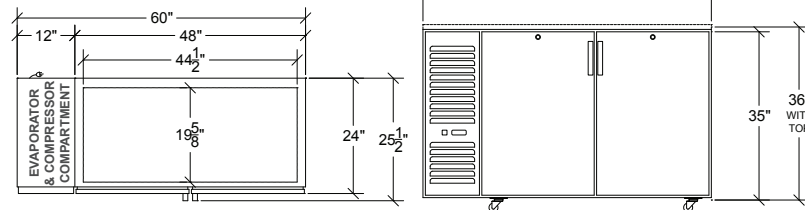


### Side View - All Models



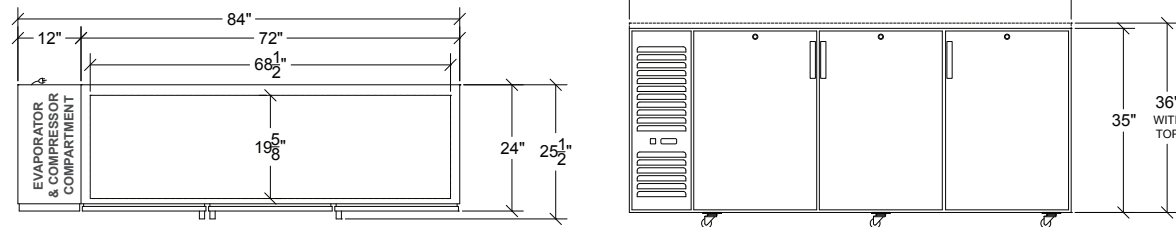
### Two Door (60")

360 lbs. (380 lbs. with Top)



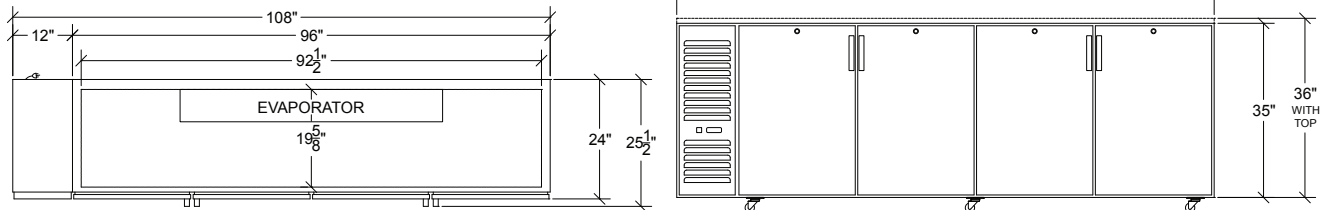
### Three Door (84")

480 lbs. (505 lbs. with Top)



### Four Door (108")

525 lbs. (580 lbs. with Top)



**Note:** Optional casters raise height 1" higher than wheel size

**Note:** Optional 4" or 6" legs available

