

Project: _____	AIA# _____
Item #: _____ Qty: _____	SIS# _____
Model #: _____	

Beer Drainers

See reverse side for model number key



BDB-18
shown in an installation setting



Intertek

4004503

Conforms to ANSI/NSF STD 2

Standard Features

- All stainless steel construction
- Designed with lowered work surface to work in conjunction with undercounter mounting beverage dispensers
- Adjustable stainless steel bullet feet
- Rear deck with tubing chase notch allows beer lines to be installed prior to beer drainer
- Front drain pan with lift-out stainless steel perforated insert

NOTES:

1. A minimum clearance height below the bar top of 38-1/2" and a minimum 7" bar top overhang is required when BDA or BDB models are used in conjunction with a Glastender UC model undercounter tower.
2. The beer drainer must be set in place after the UC model undercounter tower is mounted.
3. BDA models will accommodate 7" to 10" deep bar top overhangs.
4. BDB models will accommodate 7" to 14" deep bar top overhangs.
5. The bar top overhang must be specified when ordered.

To view underbar installation instructions, please visit: http://www.glastender.com/PDF/F-750-165_Underbar_Installation_Instructions.pdf
 To view cleaning and care instructions, please visit: http://www.glastender.com/PDF/F-423-011_ss_clean_care.pdf

Specifications	Product Information
-----------------------	----------------------------

Drain

- 1-1/2" I.P.S. Threaded drain will fit Dearborn part #8033 slipnut and part #W-573P washer.

Legs

- 1-5/8" diameter, 16 gauge stainless steel
- Stainless steel bullet feet

Materials

- 20 gauge stainless steel

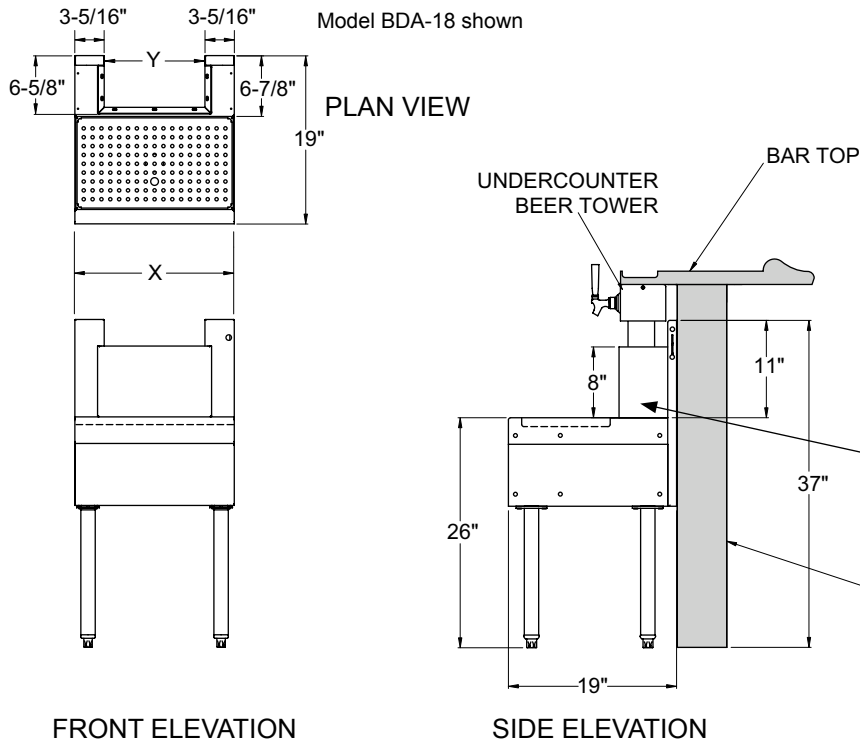
Beer Drainers have a 26" high, lowered work surface and are designed specifically for use with undercounter mounting beverage dispensers. The work surface includes a drain pan with perforated insert to serve as the drip pan for the dispenser and a special notched rear deck for beverage line access. Since the rear work surface is notched, the beverage lines can be installed prior to the beer drainer.

Glastender, Inc. • 5400 N Michigan Rd • Saginaw, MI • 48604-9780 989.752.4275 • 800.748.0423 • Fax 989.752.4444 www.glastender.com	Approval/Notes:
Specifications subject to change without notice. For current specifications please visit our website.	

Beer Drainers

Dimensional Information

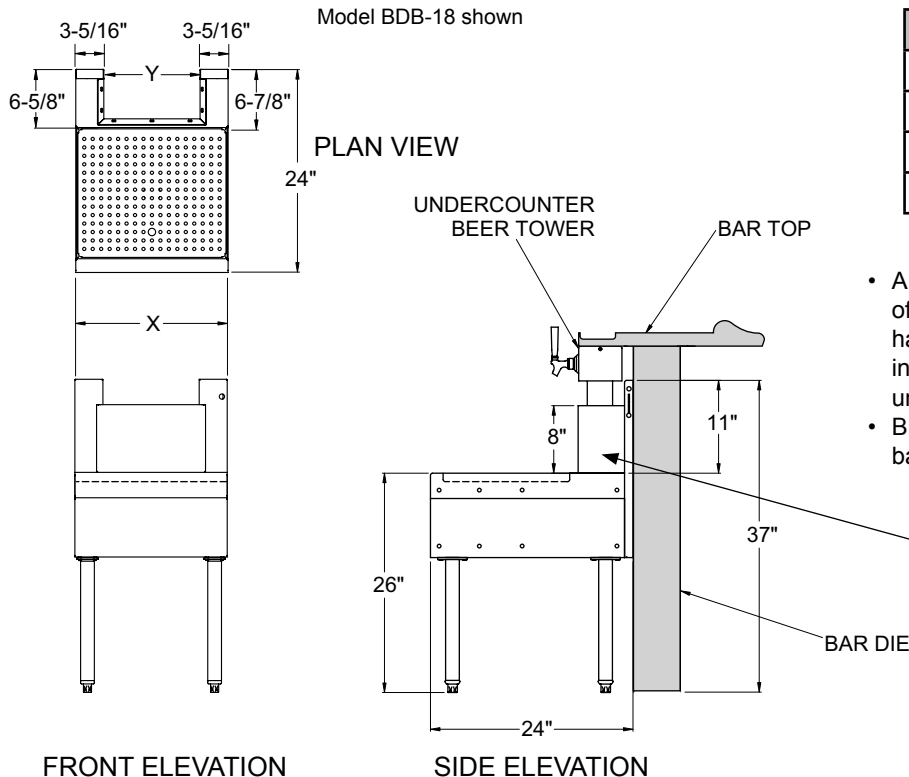
"A" Depth-19" Deep Models



Model Number	X	Y
BDA-18	18"	11-3/8"
BDA-24	24"	17-3/8"
BDA-30	30"	23-3/8"
BDA-36	36"	29-3/8"

- A minimum clearance height below the bar top of 38-1/2" and a minimum 7" bar top overhang is required when BDA models are used in conjunction with a Glastender UC model undercounter tower.
- BDA models can accommodate 7" to 10" deep bar top overhangs. For deeper overhangs, please specify the BDB model.
- When specified along with a Glastender UC model undercounter tower, the front-to-back dimension of the rear chase will be extended if necessary to align the tower properly based on the bar top overhang specified by the customer.

"B" Depth-24" Deep Models



Model Number	X	Y
BDB-18	18"	11-3/8"
BDB-24	24"	17-3/8"
BDB-30	30"	23-3/8"
BDB-36	36"	29-3/8"

- A minimum clearance height below the bar top of 38-1/2" and a minimum 7" bar top overhang is required when BDB models are used in conjunction with a Glastender UC model undercounter tower.
- BDB models can accommodate 7" to 14" deep bar top overhangs.
- When specified along with a Glastender UC model undercounter tower, the front-to-back dimension of the rear chase will be extended if necessary to align the tower properly based on the bar top overhang specified by the customer.



5400 N Michigan Rd • Saginaw, MI • 48604-9780
 989.752.4275 • 800.748.0423 • Fax 989.752.4444
www.glastender.com