

GRIDDLES & BROILERS



**COUNTER MODEL
STAINLESS STEEL STANDS**



Model STAND/C-48

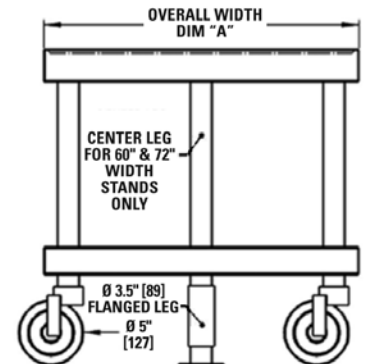
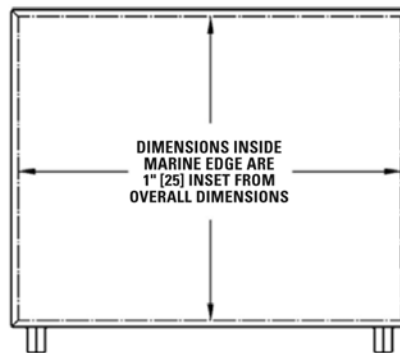
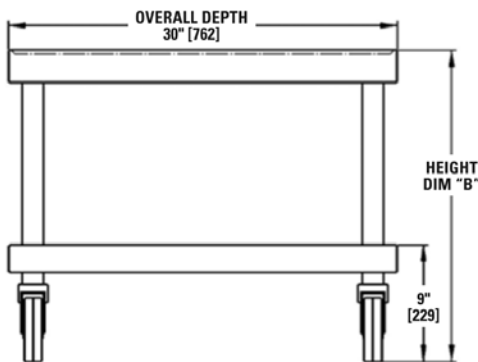
- STAND/C
- STAND/C-VACB

STANDARD FEATURES

- Stainless steel construction
- Welded and smooth blended edges
- STAND/C models have 1/2" wide marine edges
- All models have 5" casters with 2 or 3 locking brakes
- All models have an undershelf
- One year limited parts and labor warranty

OPTIONAL FEATURES (Factory Installed)

- Product variations, including flanged feet, available. See your sales representative for product variance requests.



PRODUCT FAMILY	ACCESSORY CODE CASTERS	DIM "A"	DIM "B"
VCCG 900RX MSA RRE HEG VTEC VACB VCCB VHP	STAND/C-24	26" [660]	17 1/2" [445]
	STAND/C-36	37" [940]	
	STAND/C-48	49" [1245]	
	STAND/C-60	61" [1550]	
	STAND/C-72	73" [1854]	
CTSMOKER-VCCB SMOKER-VACB	STAND/C-VACB25	26" [660]	17 1/2" [445]
	STAND/C-VACB36	37" [940]	
	STAND/C-VACB47	49" [1245]	
	STAND/C-VACB60	61" [1550]	



a division of ITW Food Equipment Group LLC

P.O. Box 696 ■ Louisville, KY 40201 ■ Toll-free: 1-800-814-2028 ■ Local: 502-778-2791 ■ Quote & Order Fax: 1-800-444-0602