



LIQUID CONCENTRATE TEA & COFFEE DISPENSERS

MODELS: TCC1, TCC2, TCC3, TCC1N, TCC2N, TCC3N, TCC1C, TCC2C



TCC1

TCC2

TCC3

ITEM NO

PROJECT

DATE

FEATURES AT A GLANCE

- Mixing chambers have been designed and engineered for enhanced blending performance.
- Easily adjustable concentrate-to-water mixing ratio.
- Drip tray and quick disconnect included.
- Durable, flexible braided hoses for reliable concentrate delivery.
- Extra length hose for under-counter or remote bag-in-box applications.
- Rear shut-off valve.
- Shelf will accommodate two 1/2 gallon bottles or bag-in-box applications.
- Iced coffee units include Scholle "L" connector.
- Black plastic lid.



TCC1N

TCC2N

TCC3N

TCC1C



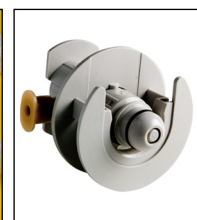
Optional Iced Coffee Label: WC-38472

Blend and serve the perfect iced tea or iced coffee from concentrate every time.

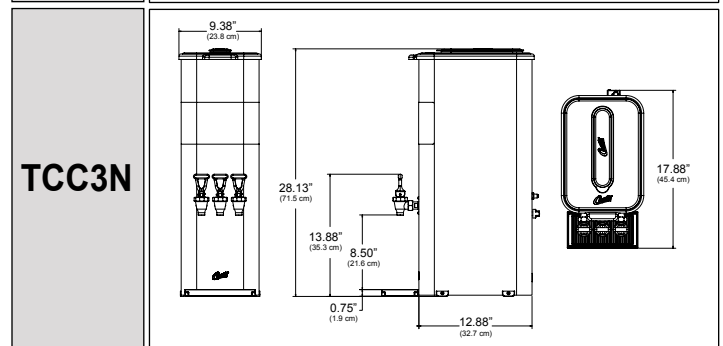
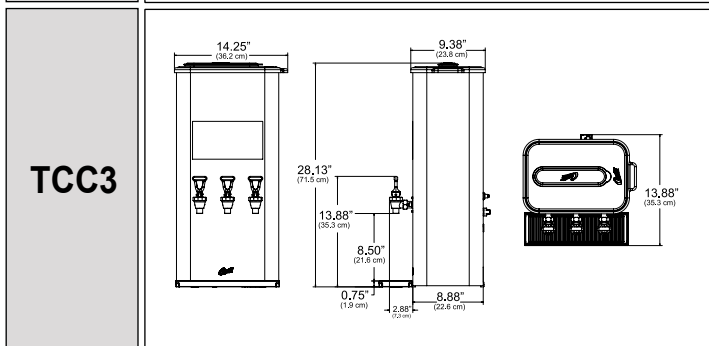
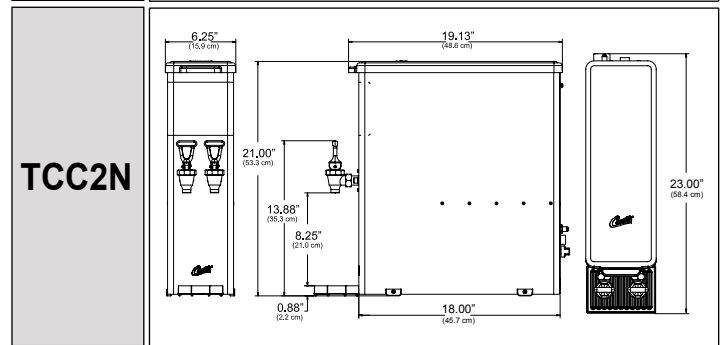
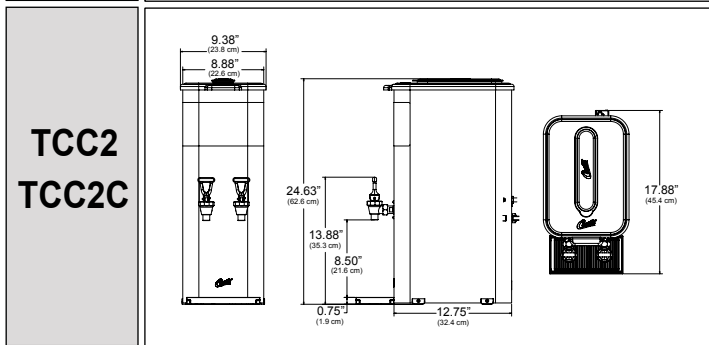
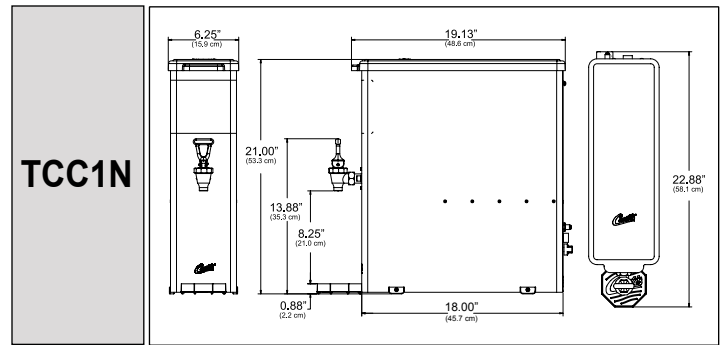
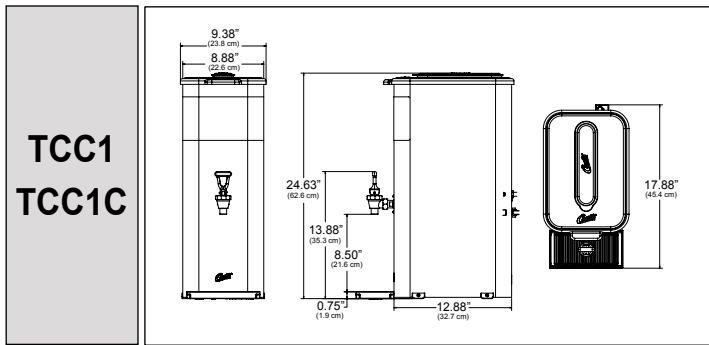
Curtis' Oval Tea Dispensers are uniquely engineered with an enhanced mixing chamber and venturi system to optimize the blending of bag-in-box concentrate and fresh water. Now you can consistently serve delicious and refreshing iced tea or coffee glass after glass.



Braided Hose



Quick Connect



SPECIFICATIONS

MODEL #	HEIGHT	WIDTH	DEPTH	SHIP WEIGHT	SHIP CUBE	CUP CLEARANCE
TCC1	24.63"	9.38"	17.88"	20.0 lbs.	6.20 cu. ft.	8.50"
TCC1N	21.00"	6.25"	22.88"	21.0 lbs.	3.97 cu. ft.	8.25"
TCC2	24.63"	9.38"	17.88"	21.0 lbs.	6.20 cu. ft.	8.50"
TCC2N	21.00"	6.25"	23.00"	22.0 lbs.	3.97 cu. ft.	8.25"
TCC3	28.13"	14.25"	13.88"	22.0 lbs.	6.20 cu. ft.	8.50"
TCC3N	28.13"	9.38"	17.88"	22.0 lbs.	6.20 cu. ft.	8.50"
TCC1C	24.63"	9.38"	17.88"	20.0 lbs.	6.20 cu. ft.	8.50"
TCC2C	24.63"	9.38"	17.88"	21.0 lbs.	6.20 cu. ft.	8.50"

ACCESSORIES

WC-8654 Scholle "L" Bag Connector



WC-53117-101K Stainless Steel Bottle Siphon Tube Kit



WILBUR CURTIS COMPANY, INC.
6913 Acco Street, Montebello, CA 90640-5403
Telephone: 800-421-6150 · 323-837-2300
Fax: 323-837-2406
www.wilburcurtis.com

