

### FEATURES:

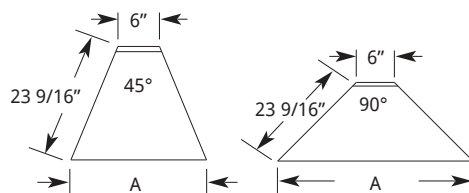
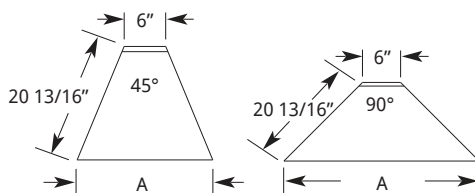
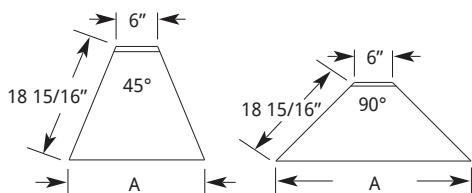
- 304 Stainless Steel Backsplash, Top, Sides and Front Apron
- 6" Tall Backsplash with 1 3/4" Turnback
- Designed to Attach to Adjacent Units (No Legs)
- Custom Sizes and Shapes Available

### MODEL NUMBERS:

Description	Model	Model	Model
<b>Front</b>	SDFSF (45, 90)	SKFSF (45, 90)	CLFSF (45, 90)
<b>Rear</b>	SDFSFR (45, 90)	SKFSFR (45, 90)	CLFSR (45, 90)
<b>Corner</b>	SDDC90FS	SKDC90FS	CLDC90FS
<b>6" Spacer</b>	SDSP6	SKSP6	
<b>6" Spacer w/Chase</b>	SDSP6-CH	SKSP6-CH	
<b>6" Soda Gun Holder</b>	SDSP6-SGH	SKSP6-SGH	CLSP6-SGH

# FILLER SECTIONS

## FRONT:



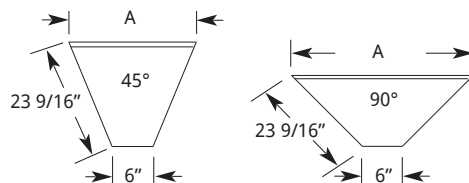
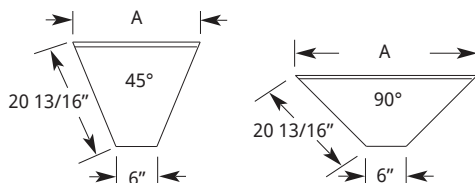
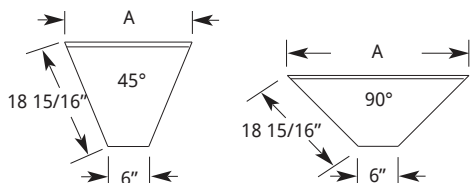
Model	A
SDFSF45	20 1/2"
SDFSF90	32 13/16"

Model	A
SKFSF45	21 15/15"
SKFSF90	35 7/16"

Model	A
CLFSF45	24 1/32"
CLFSF90	39 11/32"

1 3/4" Turnback Backsplash

## REAR:



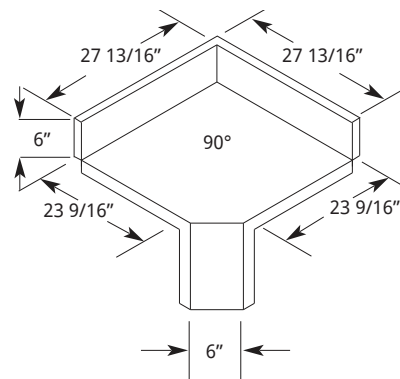
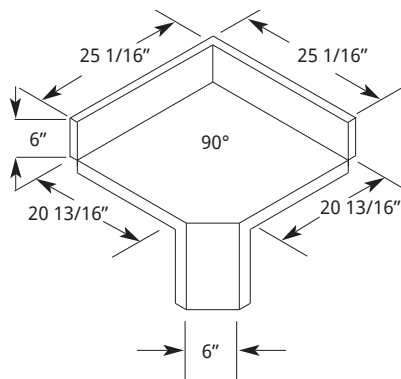
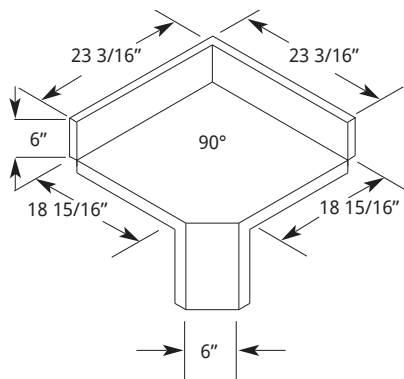
Model	A
SDFSF45	20 1/2"
SDFSF90	32 13/16"

Model	A
SKFSF45	21 15/15"
SKFSF90	35 7/16"

Model	A
CLFSF45	24 1/32"
CLFSF90	39 11/32"

1 3/4" Turnback Backsplash

## CORNER:

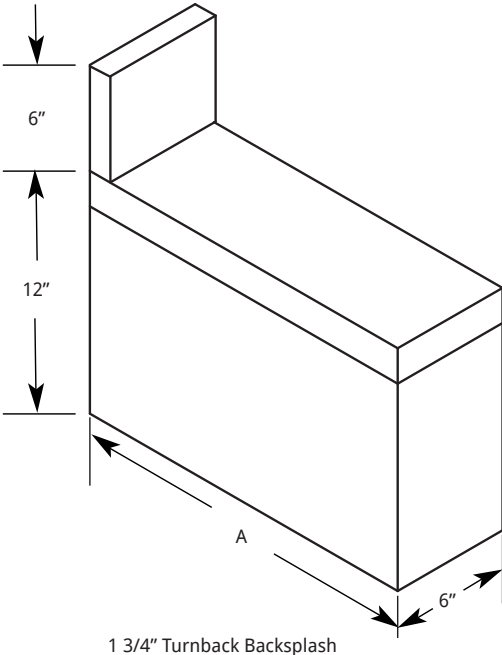


1 3/4" Turnback Backsplash

1 3/4" Turnback Backsplash

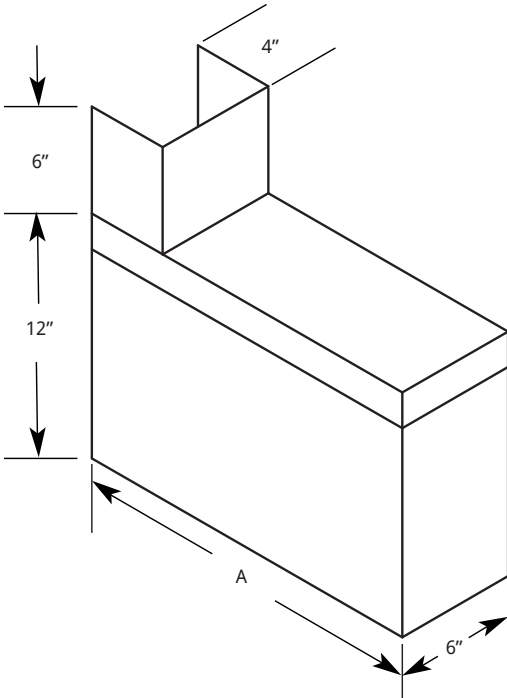
1 3/4" Turnback Backsplash

# CHASES



Model	A
SDSP6	19"

Model	A
SKSP6	21 1/4"

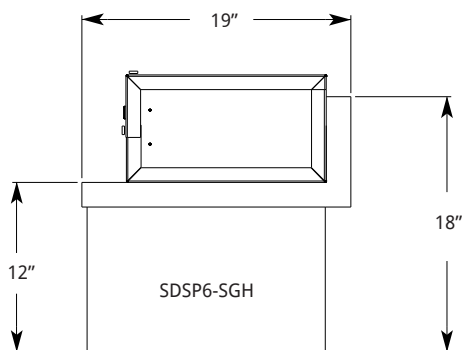


Model	A
SDSP6-CH	19"

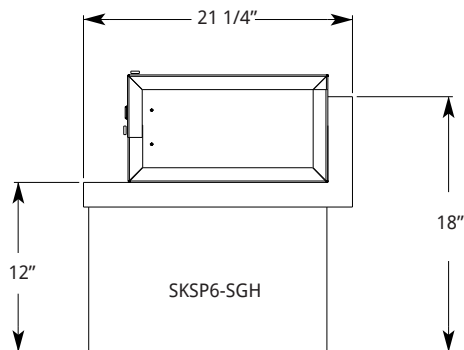
Model	A
SKSP6-CH	21 1/4"

# SODA GUN HOLDERS

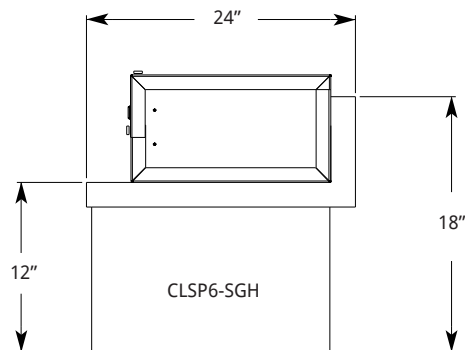
SIDE VIEW:



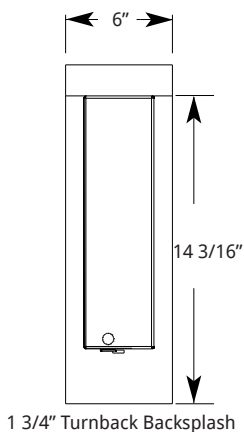
SIDE VIEW:



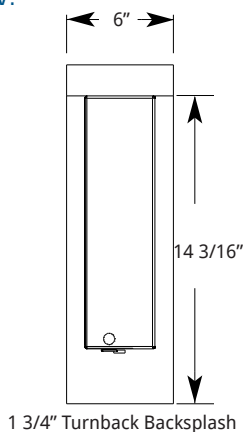
SIDE VIEW:



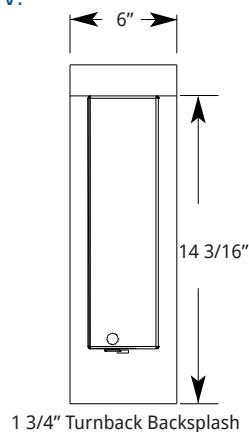
TOP VIEW:



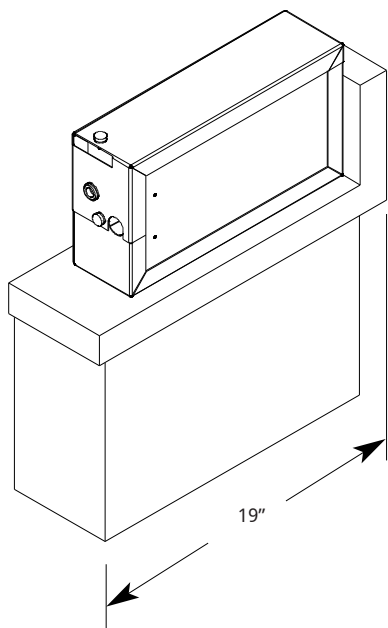
TOP VIEW:



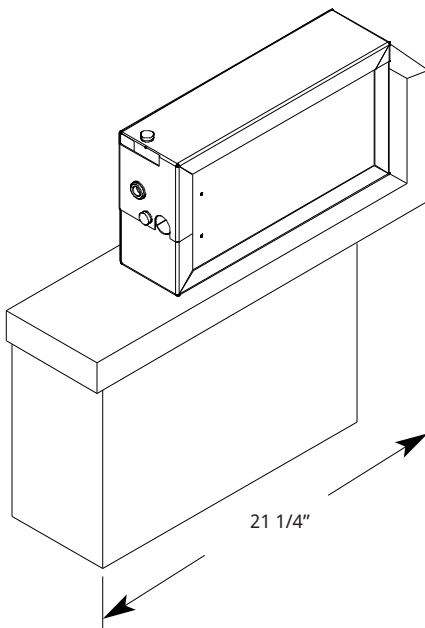
TOP VIEW:



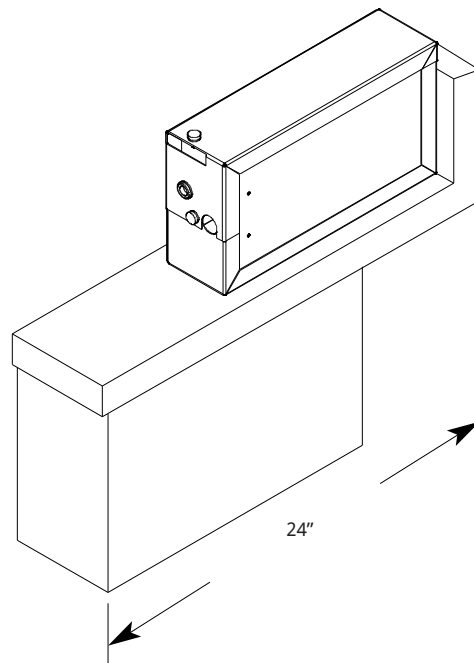
ANGLED VIEW:



ANGLED VIEW:

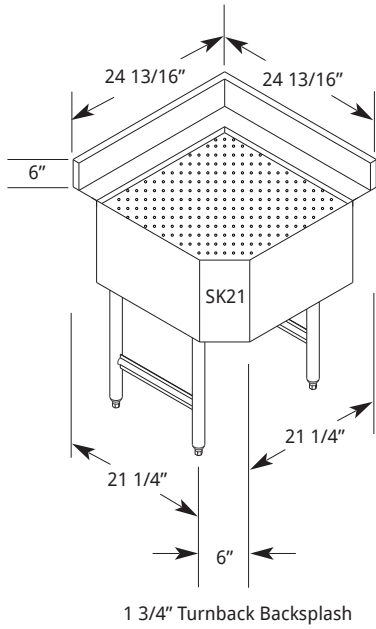


ANGLED VIEW:

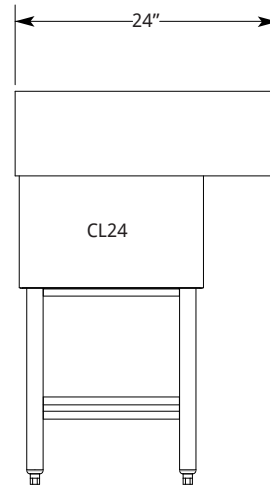


# CORNER UNIT WITH PERFORATED PAN

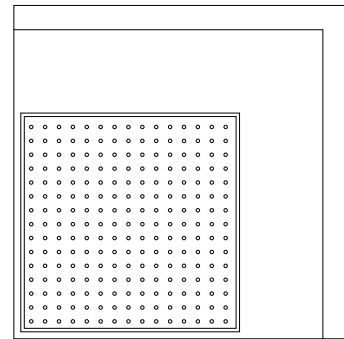
ANGLED VIEW:



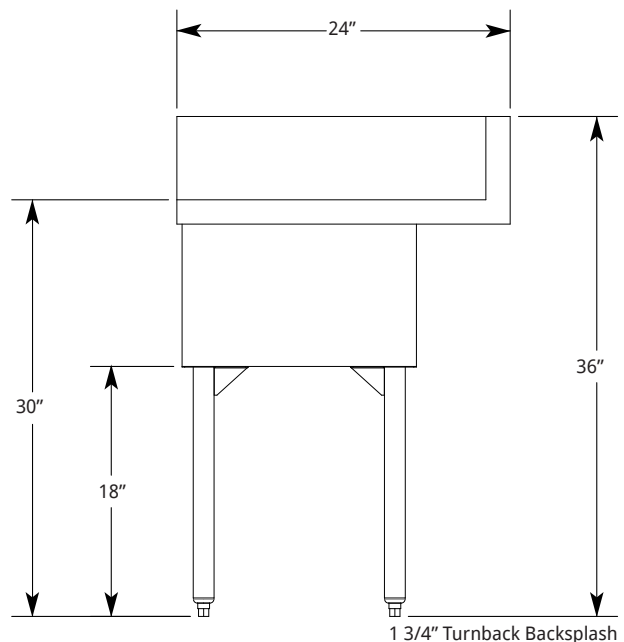
SIDE VIEW:



TOP VIEW:



FRONT VIEW:



LaCrosse has a policy of continuous product improvement, and reserves the right to change design and specifications without notice.

L#1030.1016